


# Hour Meter Series HM36

- Robust design with high degree of accuracy and compact size
- Frequency independence for AC applications
- Indicates operating time in hours and tenths with running indicators
- Totally sealed from dust and moisture
- Panel mountable with 7 bezel options
- Non-resettable
- 6 digit version with automatic recycle to zero
- Wide supply voltage range: 4-30V AC/DC, 10-80V DC & 90-264V AC



Cat. No.	AC Model HM36	DC Model HM36	AC/DC Model HM36
<b>Parameters</b>			
Supply Voltage & Frequency	90-264 VAC, 50/60 Hz	10-80 VDC	4-30 VAC / DC, 50/60 Hz
Over Voltage & reverse polarity protection	-----	Protected for 2 times battery voltage and / or reverse polarity	Not applicable to AC and 48V for DC Application
Power Consumption	0.5 VA (Max)	0.25 VA (Max)	1 VA (Max)
Register	6 Digit (3.6mm)		
Read Out	99999.9		
Least Count	1/10 h		
Accuracy	± 0.02% over entire range		
Vibration	10-80Hz with 20g max(SAE 1378)		
Shock	55g @ 9-13ms (SAE 1378)		
Weight	47g (approx.)		
Temperature	-40° C to +85° C		
Humidity (Not condensive)	95%Rh (SAE J1378)		
Mounting	Panel		
Termination	¼" [6.3] spade terminal		
Approvals	cUL recognized, SAE & NEMA 4X (Equivalent to IP65)		SAE & NEMA 4X (Equivalent to IP65)
			

## ORDERING INFORMATION

Cat. No.	Description
LA21F1	90-264 VAC, Rectangular Bezel
LA22F1	90-264 VAC, Rectangular 2 holes Bezel
LA23F1	90-264 VAC, Round Bezel
LA24F1	90-264 VAC, Round 3 holes Bezel
LA25F1	90-264 VAC, Square Mount Bezel
LD11F1	10-80 VDC, Rectangular Bezel
LD12F1	10-80 VDC, Rectangular 2 holes Bezel
LD13F1	10-80 VDC, Round Bezel
LD14F1	10-80 VDC, Round 3 holes Bezel
LD15F1	10-80 VDC, Cup Mount Bezel
LD16F1	10-80 VDC, Stirrup Mount Bezel
LD17F1	10-80 VDC, Square Mount Bezel
LC31F1	4-30 VAC/DC, Rectangular Bezel
LC32F1	4-30 VAC/DC, Rectangular 2 holes Bezel
LC33F1	4-30 VAC/DC, Round Bezel
LC34F1	4-30 VAC/DC, Round 3 holes Bezel
LC35F1	4-30 VAC/DC, Cup Mount Bezel
LC36F1	4-30 VAC/DC, Stirrup Mount Bezel
LC37F1	4-30 VAC/DC, Square Mount Bezel

## VIEWS OF DIFFERENT BEZELS



Rectangular Bezel



Rectangular 2 holes Bezel



Round Bezel



Round 3 holes Bezel



Cup Mount Bezel



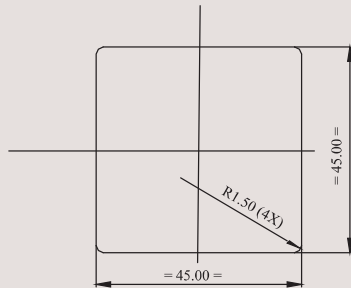
Stirrup Mount Bezel

# Hour Meter Series HM36

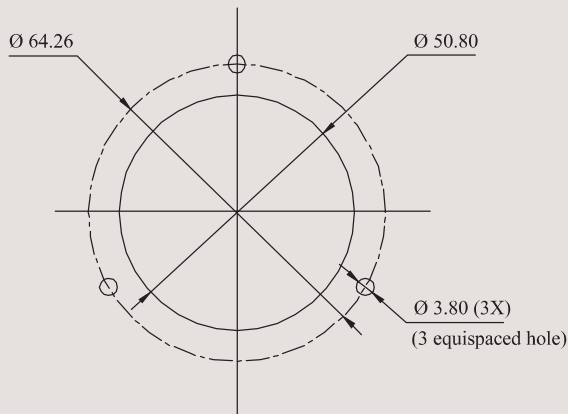


## MOUNTING DIMENSION (mm)

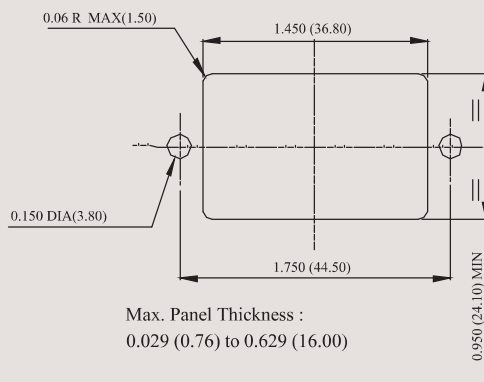
### Square Mount Bezel (45 x 45 Panel Cutout)



### Round Bezel & Round 3 holes Bezel

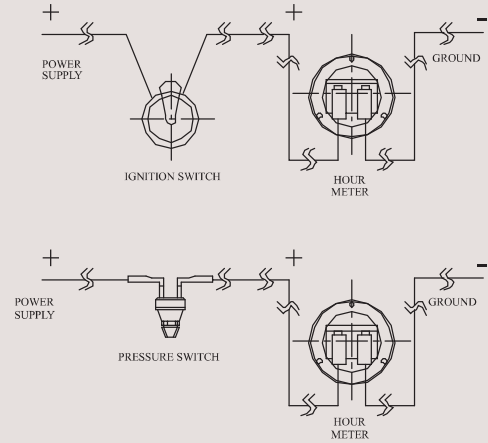


### Rectangular Bezel

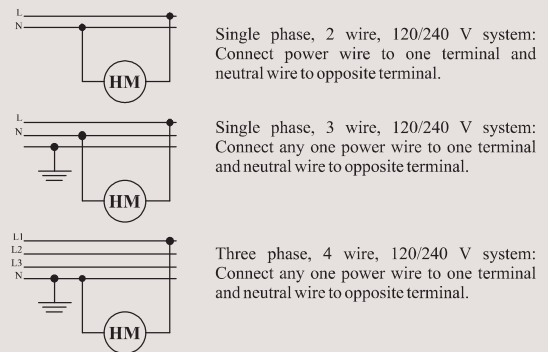


## CONNECTION DIAGRAM

### For : DC Series



### For : AC Series



Caution  
Tighten terminals with flat head screwdriver with tip size 4.3 x 0.6 mm.