



CABLE TERMINAL ENDS
CONNECTORS
CRIMPING TOOLS

History in Engineering eXcellence

DEFINITION

CABLE TERMINAL ENDS :

As Per International Specifications, Cable terminal is a Connecting device with barrel accommodating respective conductor size of electrical cable & which has fixing arrangements of termination by means of a bolt fixing or pin insertions in tunnel type terminal blocks.

IN - LINE CONNECTORS :

This is a connecting device accommodating two electrical conductors to form a straight line.

A CONVENIENT SOLUTION

HEX cable terminals offer the following advantages :

- 1) Safe & low cost both in design and use.
- 2) All copper products are electro-tinned to BS standard and this prevents it from corrosion and oxidation.
- 3) PVC insulation is provided to terminals for exceptional di-electric strength & for supporting the wire insulation at the base of the terminal thereby ensuring that no bare wire is exposed. It also provides circumferential insulation support to the wire and prevents the loss of connection due to vibration, or flexing in use.
- 4) Entry to the wire barrel is shock-proof, or bell mouthed for faster and easier conductor entry.
- 5) All the products are manufactured under strict quality control and confirm fully to the specification and requirements. Our services are always available to solve customer problems and to provide improvements.

PRODUCT USAGE

1. TERMINAL ENDS : These are more commonly used. These tubular terminal ends, manufactured from soft drawn, pure, high conductivity copper tubes conforming to BS 1977. They are fully annealed to ensure qualities of electrical and mechanical strength. These are also produced from aluminum tube.
2. IN LINE CONNECTORS & FERRULES : They are manufactured from soft drawn bare copper tube as per BS - 1977 and aluminum to obtain high electrical & mechanical strength. They are used for straight through joints for joining of cable conductors.
3. RING TYPE TERMINAL ENDS : They are manufactured from high conductivity copper and are Electro - tinned for corrosion resistance. Ring type terminal ends are available in different sizes, to serve the different joining techniques such as Crimping, Soldering and Welding.
4. PIN TYPE TERMINAL ENDS : Three types are available in this type of terminal ends Round, Regular, and Flat. They are mainly used for Control Cables, Terminal station, Flexible cord, For smaller sizes of cable etc. Pin type terminal Ends are generally available for Crimping type of connections which are made out of High Conductivity copper.
5. FORK TYPE TERMINAL ENDS : This type of terminal ends are mainly used for termination of flexible wires, Cords, Control cables, Meters of control panel / switchboard, Contractors etc, according to the requirements. They are made of High conductivity copper and are for Crimping.
6. REDUCER PIN TYPE OF TERMINAL ENDS : Reducers or copper pin terminals are produced to meet the needs of cable entering, Copper tunnel clamps such as fine gears, Cutouts, Meters etc. They can be connected by the crimping method.

FIELD OF APPLICATIONS

- 1) Electricity Boards : Generation, Distribution, etc.
- 2) Electrical Industries : Control panels, Switch gears, Transformers, Circuit breakers
- 3) Projects & Industries for Electrical applications : Shipping, Automobile, Steel & Fertilizers, Chemical, Cement and Textile, Chemical Electronics, Mining Aeronautics, Satellite and Communications, etc.

SPECIFICATION'S:

'HEX' range of cable terminals ends have been designed to meet international standards. This ensures compliance with the demands of a majority of end user's like the Electrical Authorities , Contractors, Switch Board Panel Builders, Electrical Wholesale Outlets and Traders.

Copper specification : 99% IACS, to BS 6017 1981 (1989).

Copper finish : Electro Tinned to BS 1872 1984 (1984)

The compliance with electrical specification are in accordance with the general requirement's. Initial / Final Resistance, Tensile "Pull Off" test and Cycling Periods, if necessary.

The HEX range of terminals meet the above specification and refer to standards as follows:

- Compression joints for copper connections as per BS 4579 part I 1970 (1988)

We also manufacture the following terminals as per DIN standards :

- Copper sealing ferrules as per DIN 46228
- Copper Tubular terminals as per DIN 40500
- Copper Tubular terminals as per DIN 46235

TEST FACILITIES:

Our engineers utilize the extensive in-house testing facilities to ensure the integrity and performance of every product, that rolls out of our plant.

TOOL ROOM AND CALIBRATION:

We have facilities for making tools & dies for the manufacture of our products. Our fully trained technicians continuously monitor and check on tooling and 'go & no-go gauge' tolerancing. All equipments are calibrated at regular intervals by registered bodies.

QUALITY:

HEX has set strict standards for itself, which it maintains without any compromises. Our focus is on the following areas:

- Knowing the customer's needs
- Faultless planning
- Certified performance
- Clear instruction manual
- Timely delivery
- Efficient after sales service
- Feedback & control
- Value for money

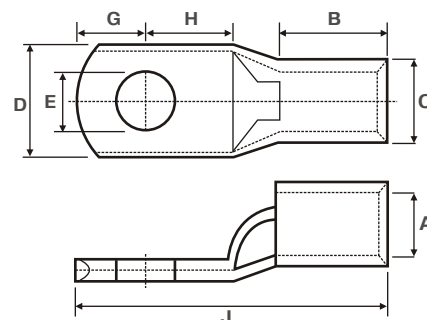
STOCK AVAILABILITY:

Our modern warehousing facilities and storage system's ensure availability of the complete range of products and it's prompt despatch. Strategically positioned, all the complexes are technologically equipped to streamline order processing and delivery.

CRIMPING TYPE COPPER TUBULAR CABLE TERMINAL ENDS

MATERIAL : E - COPPER • FINISH : ELECTRO TINNED

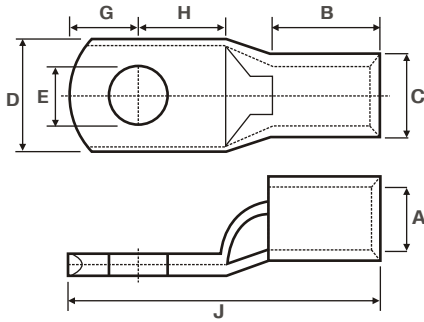
Cable mm ²	Stud Hole E	Dimensions							Product Code
		A	C	D	G	H	B	J	
1.5	4.2	1.8	3.7	8	4	5	6	17	HT 1.5 - 4
	5.2	1.8	3.7	8	4	5	6	17	HT 1.5 - 5
	6.5	1.8	3.7	10	4	6	6	18	HT 1.5 - 6
2.5	4.2	2.4	4	8	4	5	8	19	HT 2.5 - 4
	5.2	2.4	4	8	4	5	8	19	HT 2.5 - 5
	6.5	2.4	4	10	5	6	8	21	HT 2.5 - 6
	8.4	2.4	4.2	12	6	9	8	26	HT 2.5 - 8
4	4.2	3.1	4.8	10	5	6	8	21	HT 4 - 4
	5.2	3.1	4.8	10	5	6	8	21	HT 4 - 5
	6.5	3.1	4.8	10	5	6	8	21	HT 4 - 6
	8.4	3.1	4.8	12	6	9	8	26	HT 4 - 8
6	5.2	3.8	5.5	10	5	6	10	24	HT 6 - 5
	6.5	3.8	5.5	10	5	6	10	24	HT 6 - 6
	8.4	3.8	5.5	12	6	9	10	28	HT 6 - 8
	10.5	3.8	6.0	15	8	11	10	32	HT 6 - 10
10	6.5	4.5	6.2	11	6	7	10	26	HT 10 - 6
	8.4	4.5	6.2	12	6	9	10	28	HT 10 - 8
	10.5	4.5	6.8	15	8	11	11	33	HT 10 - 10
16	6.5	5.4	7.1	12	7	7	12	30	HT 16 - 6
	8.4	5.4	7.1	12	7	7	12	30	HT 16 - 8
	10.5	5.4	7.6	15	8	12	12	36	HT 16 - 10
	13	5.4	7.6	17	11	13	12	39	HT 16 - 12
20	8.4	6	7.7	12	7	7	12	32	HT 20 - 8
25	6.5	6.8	8.8	13	7	7	12	30	HT 25 - 6
	8.4	6.8	8.8	13	7	7	12	30	HT 25 - 8
	10.5	6.8	8.8	15	10	11	13	38	HT 25 - 10
	13	6.8	9.2	17	10	12	15	41	HT 25 - 12
35	6.5	8.2	10.6	16	9	9	13.5	37	HT 35 - 6
	8.4	8.2	10.6	16	9	9	13.5	37	HT 35 - 8
	10.5	8.2	10.6	16	9	9	13.5	37	HT 35 - 10
	13	8.2	10.6	18	10	12	13.5	41	HT 35 - 12
	17	8.2	10.6	22	14	18	13.5	50	HT 35 - 16
50	8.4	9.5	12.4	18	9	10	17	42	HT 50 - 8
	10.5	9.5	12.4	18	9	10	17	42	HT 50 - 10
	13	9.5	12.4	20	10	12	17	45	HT 50 - 12
	17	9.5	12.4	22	15	15	18	54	HT 50 - 16
70	8.4	11.3	14.6	21	11	11	18.5	47	HT 70 - 8
	10.5	11.3	14.6	21	11	11	18.5	47	HT 70 - 10
	13	11.3	14.6	21	11	11	18.5	47	HT 70 - 12
	14.5	11.3	14.6	22	14	15	18.5	55	HT 70 - 14
	17	11.3	14.6	26	14	16	18.5	56	HT 70 - 16
95	10.5	13.5	17.4	25	12	13	21	53	HT 95 - 10
	13	13.5	17.4	25	12	13	21	53	HT 95 - 12
	14.5	13.5	17.4	25	14	15	22	55	HT 95 - 14
	17	13.5	17.4	25	14	16	22	56	HT 95 - 16



Note : All dimensions in mm

CRIMPING TYPE COPPER TUBULAR CABLE TERMINAL ENDS

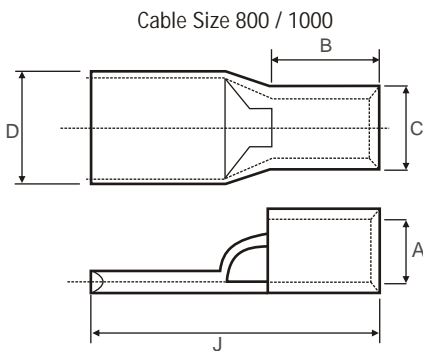
MATERIAL : E - COPPER • FINISH : ELECTRO TINNED



Cable mm ²	Stud Hole E	Dimensions							Product Code
		A	C	D	G	H	B	J	
120	13	15	19.4	28	13	14	23	60	HT 120 - 12
	14.5	15	19.4	28	13	14	23	60	HT 120 - 14
	17	15	19.4	28	16	16	23	64	HT 120 - 16
150	13	16.5	21.2	30	16	16	27	70	HT 150 - 12
	14.5	16.5	21.2	30	16	16	27	70	HT 150 - 14
	17	16.5	21.2	30	16	16	27	70	HT 150 - 16
	21	16.5	21.2	30	19	16	27	73	HT 150 - 20
	-	16.5	21.2	30	19	16	27	73	HT 150 - 20
185	13	18.5	23.5	34	17	19	32	80	HT 185 - 12
	14.5	18.5	23.5	34	17	19	32	80	HT 185 - 14
	17	18.5	23.5	34	17	19	32	80	HT 185 - 16
	21	18.5	23.5	34	17	19	32	80	HT 185 - 20
240	13	21	26.5	38	20	20	37	94	HT 240 - 12
	17	21	26.5	38	20	20	37	94	HT 240 - 14
	17	21	26.5	38	20	20	37	94	HT 240 - 16
	21	21	26.5	38	20	20	37	94	HT 240 - 20
	-	21	26.5	38	-	-	37	94	HT 240 - BL
300	13	23.5	30	43	22	22	42	102	HT 300 - 12
	14.5	23.5	30	43	22	22	42	102	HT 300 - 14
	17	23.5	30	43	22	22	42	102	HT 300 - 16
	21	23.5	30	43	22	22	42	102	HT 300 - 20
	-	23.5	30	43	-	-	42	102	HT 300 - BL
400	13	28.5	36.5	52.5	26	26	44	114	HT 400 - 12
	14.5	28.5	36.5	52.5	26	26	44	114	HT 400 - 14
	17	28.5	36.5	52.5	26	26	44	114	HT 400 - 16
	21	28.5	36.5	52.5	26	26	44	114	HT 400 - 20
	-	28.5	36.5	52.5	-	-	44	114	HT 400 - BL
500	17	30	39	56	28	28	48	121	HT 500 - 16
	21	30	39	56	28	28	48	121	HT 500 - 20
	-	30	39	56	-	-	48	121	HT 500 - BL
630	17	35	45	63.8	33	33	58	144	HT 630 - 16
	21	35	45	63.8	33	33	58	144	HT 630 - 20
	-	35	45	63.8	-	-	58	144	HT 630 - BL
*630	16	35	41.5	61	25	25	70	144	HLT 630 - 16
*630	20	35	41.5	61	25	25	70	144	HLT 630 - 20
800	-	39	50.6	72	-	-	78	170	HT 800 - BL
1000	-	43	56.2	78.5	-	-	90	200	HT 1000-BL

*630 : For Low Voltage Application

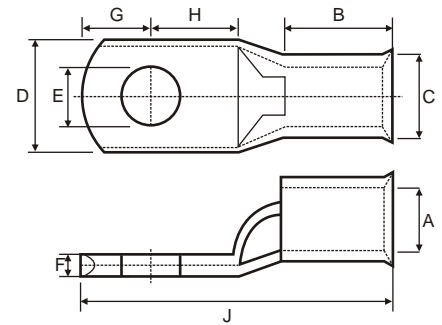
Note : All dimensions in mm



CRIMPING TYPE COPPER TUBULAR CABLE TERMINAL ENDS - BELL MOUTH

MATERIAL : E - COPPER • FINISH : ELECTRO TINNED

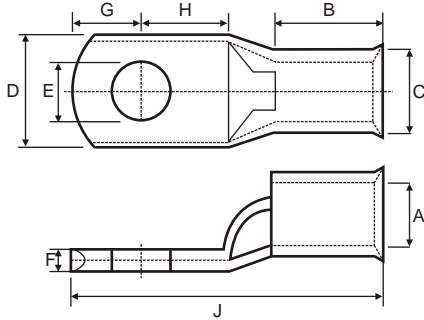
Cable mm ²	Stud Hole E	Dimensions									Product Code
		A	C	D	F	G	H	K	B	J	
10	5.2	4.5	6.2	11	1.2	6	7	3	10	26	BHT-10-5
	6.5	4.5	6.2	11	1.2	6	7	3	10	26	BHT-10-6
	8.4	4.5	6.2	12	1.2	6	9	3	10	28	BHT-10-8
	10.5	4.5	6.8	15	1.5	8	11	3	11	33	BHT-10-10
	13	4.5	6.8	18	1.0	9	11	5	11	36	BHT-10-12
16	5.2	5.4	7.1	12	1.4	7	7	4	12	30	BHT-16-5
	6.5	5.4	7.1	12	1.4	7	7	4	12	30	BHT-16-6
	8.4	5.4	7.1	12	1.4	7	7	4	12	30	BHT-16-8
	10.5	5.5	7.6	15	1.7	8	12	4	12	36	BHT-16-10
	13	5.5	7.6	17	1.5	11	13	4	12	39	BHT-16-13
	17	5.5	7.6	21	1.0	13	14	5	12	44	BHT-16-16
20	8.4	6	7.7	12	1.7	7	7	4	12	32	BHT-20-8
25	6.5	6.8	8.8	13	2	7	7	4	12	30	BHT-25-6
	8.4	6.8	8.8	13	2	7	7	4	12	30	BHT-25-8
	10.5	6.8	8.8	15	1.5	10	11	4	13	38	BHT-25-10
	13	6.8	9.2	17	2	10	12	4	15	41	BHT-25-12
	17	6.8	9.2	21	1.5	13	14	5	15	47	BHT-25-16
35	6.5	8.2	10.6	15.3	2.4	9	9	5	13.5	37	BHT-35-6
	8.4	8.2	10.6	15.3	2.4	9	9	5	13.5	37	BHT-35-8
	10.5	8.2	10.6	15.3	2.4	9	9	5	13.5	37	BHT-35-10
	13	8.2	10.6	15.3	2	10	12	5	13.5	41	BHT-35-12
	17	8.2	10.6	22	1.5	13	14	5	15	47	BHT-35-16
50	6.5	9.5	12.4	17.8	2.9	9	10	6	17	42	BHT-50-6
	8.4	9.5	12.4	17.8	2.9	9	10	6	17	42	BHT-50-8
	10.5	9.5	12.4	17.8	2.9	9	10	6	17	42	BHT-50-10
	13	9.5	12.4	20	2.6	10	12	6	17	45	BHT-50-13
	14.5	9.5	12.4	22	2.2	15	15	6	18	54	BHT-50-14
	17	9.5	12.4	22	2.2	15	15	6	18	54	BHT-50-16
	21	9.5	12.4	26	1.8	16	18	6	18	60	BHT-50-20
70	8.4	11.3	14.6	21	3.5	11	11	6	18.5	47	BHT-70-8
	10.5	11.3	14.6	21	3.5	11	11	6	18.5	47	BHT-70-10
	13	11.3	14.6	21	3.5	11	11	6	18.5	47	BHT-70-12
	14.5	11.3	14.6	22	3.4	14	15	7	18.5	55	BHT-70-14
	17	11.3	14.6	26	2.5	14	16	7	18.5	56	BHT-70-16
	21	11.3	14.6	28	2.3	16	18	9	18.5	63	BHT-70-20
95	8.4	13.5	17.4	25	3.9	12	13	7	21	53	BHT-95-8
	10.5	13.5	17.4	25	3.9	12	13	7	21	53	BHT-95-10
	13	13.5	17.4	25	3.9	12	13	7	21	53	BHT-95-12
	14.5	13.5	17.4	25	3.9	14	15	7	22	55	BHT-95-14
	17	13.5	17.4	25	3.9	14	16	7	22	56	BHT-95-16
	21	13.5	17.4	28	3.5	15	16	10	22	63	BHT-95-20
120	8.4	15	19.4	28	4.4	13	14	9	23	60	BHT-120-8
	10.5	15	19.4	28	4.4	13	14	9	23	60	BHT-120-10
	13	15	19.4	28	4.4	13	14	9	23	60	BHT-120-12
	14.5	15	19.4	28	4.4	13	14	9	23	60	BHT-120-14
	17	15	19.4	28	4.4	16	16	10	23	64	BHT-120-16
	21	15	19.4	28	4.4	16	20	10	23	68	BHT-120-20



Note : All dimensions in mm

CRIMPING TYPE COPPER TUBULAR CABLE TERMINAL ENDS - BELL MOUTH

MATERIAL : E - COPPER • FINISH : ELECTRO TINNED



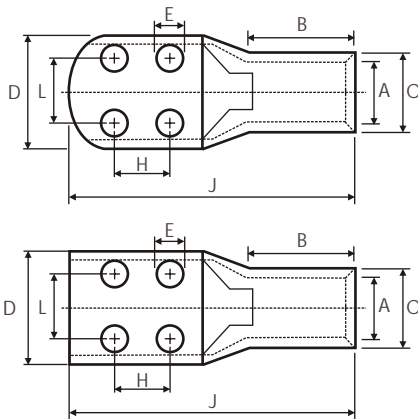
Cable mm ²	Stud Hole E	Dimensions										Product Code
		A	C	D	F	G	H	K	B	J		
150	8.4	16.5	21.2	30	4.7	16	16	11	27	70	BHT-150-8	
	10.5	16.5	21.2	30	4.7	16	16	11	27	70	BHT-150-10	
	13	16.5	21.2	30	4.7	16	16	11	27	70	BHT-150-12	
	14.7	16.5	21.2	30	4.7	16	16	11	27	70	BHT-150-14	
	17	16.5	21.2	30	4.7	16	16	11	27	70	BHT-150-16	
	21	16.5	21.2	30	4.7	16	16	12	27	73	BHT-150-20	
185	10.5	18.5	23.5	34	5	17	19	12	32	80	BHT-185-10	
	13	18.5	23.5	34	5	17	19	12	32	80	BHT-185-12	
	14.7	18.5	23.5	34	5	17	19	12	32	80	BHT-185-14	
	17	18.5	23.5	34	5	17	19	12	32	80	BHT-185-16	
	21	18.5	23.5	34	5	17	19	12	32	80	BHT-185-20	
240	10.5	21	26.5	38	5.5	20	21	14	39	94	BHT-240-10	
	13	21	26.5	38	5.5	20	21	14	39	94	BHT-240-12	
	14.5	21	26.5	38	5.5	20	21	14	39	94	BHT-240-14	
	17	21	26.5	38	5.5	20	21	14	39	94	BHT-240-16	
	21	21	26.5	38	5.5	20	21	14	39	94	BHT-240-20	

Note : All dimensions in mm

Bell Mouth above 240 mm² can be supplied on request.

FOUR HOLE CABLE TERMINAL ENDS

MATERIAL : E - COPPER • FINISH : ELECTRO TINNED



For 800 & 1000 mm²

Cable mm ²	Stud Hole E	Dimensions							Product Code
		A	C	D	B	L	H	J	
300	8.5	23.5	30	56	42	35	25	101	HT 3004E8
	10.5	23.5	30	56	42	35	25	101	HT 3004E10
400	8.5	28.5	36.5	56	44	35	25	114	HT4004E8
	10.5	28.5	36.5	56	44	35	25	114	HT 4004E10
500	8.5	30	39	56	48	35	25	124	HT 5004E8
	10.5	30	39	56	48	35	25	124	HT 5004E10
630	8.5	35	45	65	56	35	25	144	HT 6304E8
	10.5	35	45	65	56	35	25	144	HT 6304E10
800	8.5	35	45	63.8	58	35	25	148	HT 8004E8
	8.5	35	45	36.8	58	35	25	18	HT 8004E10
1000	10.5	43	56.2	78.5	90	35	25	250	HT10004E8
	10.5	43	56.2	78.5	90	35	25	250	HT 10004E10

Note : All dimensions in mm

CRIMPING TYPE COPPER TUBULAR IN - LINE CONNECTORS (LINKS)

MATERIAL : E - COPPER • FINISH : ELECTRO TINNED

Long Barrel Connectors

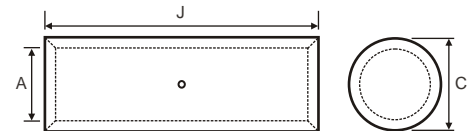
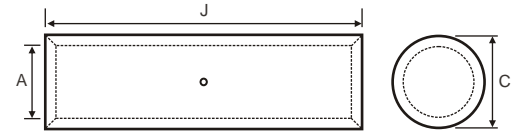
Cable mm ²	Dimensions			Product Code
	A	C	J	
1.5	1.8	3.7	22	HC 1.5
2.5	2.4	4	22	HC 2.5
4	3.1	4.8	22	HC 4
6	3.8	5.5	22	HC 6
10	4.5	6.2	22	HC 10
16	5.4	7.1	44	HC 16
20	6.3	7.7	44	HC 20
25	6.8	8.8	47	HC 25
35	8.2	10.6	47	HC 35
50	9.5	12.4	47	HC 50
70	11.3	14.7	50	HC 70
95	13.5	17.4	54	HC 95
120	15	19.4	65	HC 120
150	16.5	21.2	65	HC 150
185	18.5	23.5	65	HC 185
240	21	26.5	89	HC 240
300	23.5	30	89	HC 300
400	28.5	36.5	90	HC 400
500	30	39	115	HC 500
550	31.7	41.5	115	HC 550
630	35	45	115	HC 630
800	39	50.6	230	HC 800
1000	43	56.2	230	HC 1000

Note : All dimensions in mm

Short Barrel Connectors

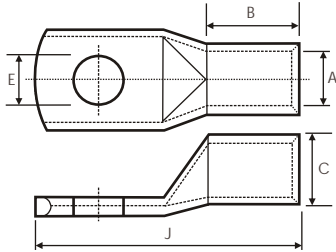
Cable mm ²	Dimensions			Product Code
	A	C	J	
1.5	1.8	3.7	12	HL 1.5
2.5	2.4	4	15	HL 2.5
4	3.1	4.8	15	HL 4
6	3.8	5.5	15	HL 6
10	4.5	6.2	20	HL 10
16	5.4	7.1	20	HL 16
20	6.3	7.7	22	HL 20
25	6.8	8.8	32	HL 25
35	8.2	10.6	36	HL 35
50	9.5	12.4	40	HL 50
70	11.3	14.7	45	HL 70
95	13.5	17.4	45	HL 95
120	15	19.4	45	HL 120
150	16.5	21.2	55	HL 150
185	18.5	23.5	60	HL 185
240	21	26.5	80	HL 240
300	23.5	30	85	HL 300
400	28.5	36.5	85	HL 400
500	30	39	100	HL 500
550	31.7	41.5	110	HL 550
630	35	45	110	HL 630
800	39	50.6	150	HL 800
1000	43	56.2	170	HL 1000

Note : All dimensions in mm



TINNED COPPER TUBULAR CABLE LUGS (WITHOUT INSPECTION HOLE)

MATERIAL : E - COPPER • FINISH : ELECTRO TINNED



Cable mm ²	Stud Hole E	Dimensions								Product Code
		A	C	D	B	K	G	H	J	
2.5	5.3	2.4	4	10	8	3	5	6	22	HNL-2.5-5
4	5.3	3.1	4.8	10	8	3	5	6	22	HNL-4-5
6	5.3	3.8	5.5	10	9	3	5	6	23.5	HNL-6-5
	6.5	3.8	5.5	10	9	3	6	5	23.5	HNL-6-6
	8.5	3.8	5.5	12	9	3	7	8	28	HNL-6-8
	10.5	3.8	6	14.5	9	3	8	14	33	HNL-6-10
10	13	3.8	6	17	9	3	12	13	36	HNL-6-12
	5.3	4.5	6.2	10	10	3	6	7	26	HNL-10-5
	6.5	4.5	6.2	10.5	10	3	6	7	26.5	HNL-10-6
	8.5	4.5	6.2	12	10	3	7	9	28	HNL-10-8
16	10.5	4.5	7	15	10	3	8	13	34	HNL-10-10
	13	4.5	7	17	10	3	12	13	40	HNL-10-12
	5.3	5.4	7.1	10.5	13	4	6.5	7	31	HNL-16-5
	6.5	5.4	7.1	10.5	13	4	6.5	7	31	HNL-16-6
25	8.5	5.4	7.1	12	13	4	7	9	32	HNL-16-8
	10.5	5.5	7.6	15	13	4	8	13	38	HNL-16-10
	13	5.5	7.6	17	13	4	12	13	42	HNL-16-12
	5.3	6.8	8.8	13	13	5	6.5	7	32	HNL-25-5
35	6.5	6.8	8.8	13	13	5	6.5	7	32	HNL-25-6
	8.5	6.8	8.8	13	13	5	6	9	32	HNL-25-8
	10.5	6.8	8.8	15	13	5	8	13	38	HNL-25-10
	13	6.8	9.5	18	13	5	11	14	42	HNL-25-12
	15	6.8	9.5	21	13	5	13	14	45	HNL-25-14
50	6.5	8.2	10.6	15	15	7	7	9	37.5	HNL-35-6
	8.5	8.2	10.6	15	15	7	9	11	42	HNL-35-8
	10.5	8.2	10.6	15	16	8	9	15	48	HNL-35-10
	13	8.2	10.6	17	15	8	14	14	53	HNL-35-12
	15	8.2	10.6	20	15	8	14	14	53	HNL-35-12
70	6.5	9.5	12.4	17.5	17	7	9	11	44	HNL-50-6
	8.5	9.5	12.4	17.5	17	7	9	11	44	HNL-50-8
	10.5	9.5	12.4	17.5	17	8	12	12	49	HNL-50-10
	13	9.5	12.4	20.5	17	8	14.5	14	53	HNL-50-12
	15	9.5	12.4	23	17	8	14.5	15	54	HNL-50-14
95	6.5	11.2	14.7	21	21	7	10	10	48	HNL-70-6
	8.5	11.2	14.7	21	21	7	10	10	48	HNL-70-8
	10.5	11.2	14.7	21	21	8	12	12	51.5	HNL-70-10
	13	11.2	14.7	21	21	8	13	13	55	HNL-70-12
	15	11.2	14.7	22	21	10	15	17	61	HNL-70-14
95	8.5	13.5	17.4	25	23	8	12	12	55	HNL-95-8
	10.5	13.5	17.4	25	24	8	12	12	55	HNL-95-10
	13	13.5	17.4	25	24	8	13	13	59	HNL-95-12
	15	13.5	17.4	25	24	10	15	17	67	HNL-95-14
	17	13.5	17.4	26	24	10	16	16	67	HNL-95-16
21	13.5	17.4	28	24	10	16	17	68	HNL-95-20	

Note : All dimensions in mm

TINNED COPPER TUBULAR CABLE LUGS (WITHOUT INSPECTION HOLE)

MATERIAL : E - COPPER • FINISH : ELECTRO TINNED

Cable mm ²	Stud Hole E	Dimensions					Product Code
		A	C	D	B	J	
120	8.5	15	19.4	28	24	65	HNL-120-8
	10.5	15	19.4	28	24	65	HNL-120-10
	13	15	19.4	28	24	65	HNL-120-12
	15	15	19.4	28	24	68	HNL-120-14
	17	15	19.4	28	24	68	HNL-120-16
	21	15	19.4	28	24	68	HNL-120-20
150	8.5	16.5	21.2	30	30	69	HNL-120-8
	10.5	16.5	21.2	30	30	69	HNL-150-10
	13	16.5	21.2	30	30	72	HNL-150-12
	15	16.5	21.2	30	30	72	HNL-150-14
	17	16.5	21.2	30	30	72	HNL-150-16
	21	16.5	21.2	30	30	72	HNL-150-20
185	10.5	19	23.5	34	30	82	HNL-185-10
	13	19	23.5	34	30	82	HNL-185-12
	15	19	23.5	34	30	82	HNL-185-14
	17	19	23.5	34	30	82	HNL-185-16
	21	19	23.5	34	30	89	HNL-185-20
240	10.5	21	26.5	38	35	94	HNL-240-10
	13	21	26.5	38	35	94	HNL-240-12
	15	21	26.5	38	35	94	HNL-240-14
	17	21	26.5	38	35	94	HNL-240-16
300	13	23.5	30	43	46	111	HNL-300-12
	15	23.5	30	43	46	111	HNL-300-14
	17	23.5	30	43	46	111	HNL-300-16
	21	23.5	30	43	46	111	HNL-300-20
400	17	27	36.5	50	49	114	HNL-400-16
	21	27	36.5	50	49	114	HNL-400-20
500	17	30	39	56	58	134	HNL-500-16
	21	30	39	56	58	134	HNL-500-20
630	17	35	41.5	61	70	144	HNL-630-16
	21	35	41.5	61	70	144	HNL-630-20
	10.5	35	41.5	61	70	144	HNL-630-4 E10

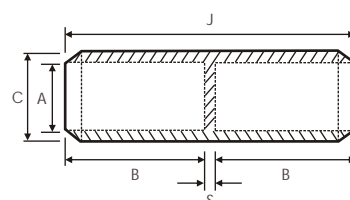
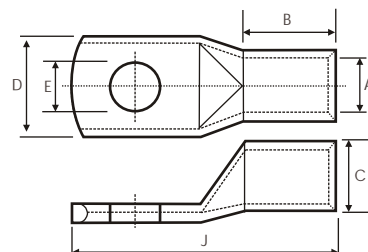
Note : All dimensions in mm

COPPER CONNECTORS WITH SOLID BARRIER (For Similar Cable Cross Sectional area)

MATERIAL : E - COPPER • FINISH : ELECTRO TINNED

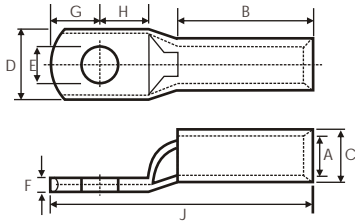
Cable mm ²	Dimensions					Product Code
	A	C	B	J	S	
16	5.5	7.5	22.5	47	2	HS 16
25	7	10	22.5	47	2	HS 25
35	8.2	11	22.5	47	2	HS 35
50	9.5	13	25	53	3	HS 50
70	11.5	15	25	53	3	HS 70
95	13.5	17.5	25	53	3	HS 95
120	15.5	20	30	63	3	HS 120
150	17	22	35	73	3	HS 150
185	19	24	40	84	4	HS 185
240	21	26	43	90	4	HS 240

• Also Available for Dissimilar Cable Cross Sectional Area



LONG BARREL TINNED COPPER CABLE TERMINAL ENDS

MATERIAL : E - COPPER • FINISH : ELECTRO TINNED



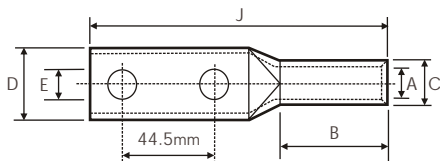
Cable mm ²	Stud Hole E	Dimensions								Product Code
		A	C	D	F	G	H	B	J	
6	8.4	3.8	5.5	12	1	6	9	11	29	HTL 6 - 8
10	8.4	4.5	6.2	12	1.2	6	9	11	29	HTL 10 - 8
16	8.4	5.4	7.1	12	1.4	7	7	15	35	HTL 16 - 8
25	8.4	6.8	8.8	16	2	7	7	15	35	HTL 25 - 8
35	8.4	8.2	10.6	15.3	2.4	9	9	15	38	HTL 35 - 8
50	13	9.5	12.4	18	2.9	10	11	20	47	HTL 50 - 12
70	13	11.2	14.7	21	3.5	12	13	22	54	HTL 70 - 12
95	13	13.5	17.4	25	3.9	13	13	24	59	HTL 95 - 12
120	13	15	19.4	28	4.4	14	14	27	65	HTL 120 - 12
150	13	16.5	21.2	30	4.7	16	16	32	75	HTL 150 - 12
185	13	18.5	23.5	34	5	17	17	39	85	HTL 185 - 12
240	17	21	26.5	38	5.5	20	20	46	100	HTL 240 - 16
300	21	23.5	30	43	6.5	22	22	51	110	HTL 300 - 20
400	21	28.5	36.5	50.1	8	26	26	53	123	HTL 400 - 20
500	21	30	39	56	9	28	28	58	134	HTL 500 - 20

• Other hole size available on request.

• Also available without inspection hole

COPPER CABLE TERMINAL ENDS WITH EXTENDED PALM (2 HOLE)

MATERIAL : E - COPPER • FINISH : ELECTRO TINNED



Cable mm ²	Stud Hole E	Dimensions					Product Code
		A	C	D	B	J	
16	10.5	5.4	7.6	14.5	16	100	HT16 2E10
25	10.5	6.8	8.8	15	16	100	HT25 2E10
35	10.5	8.2	10.6	16.5	16	100	HT35 2E10
50	10.5	9.5	12.4	17	25	109	HT50 2E10
	13	9.5	12.4	17	25	109	HT50 2E12
70	10.5	11.3	14.7	21	30	114	HT70 2E10
	13	11.3	14.7	21	30	114	HT70 2E12
95	10.5	13.5	17.4	25	30	116	HT95 2E10
	13	13.5	17.4	25	30	116	HT95 2E12
120	10.5	15	19.4	27.5	35	122	HT120 2E10
	13	15	19.4	27.5	35	122	HT120 2E12
150	10.5	16.5	21.2	30	40	126	HT150 2E10
	13	16.5	21.2	30	40	126	HT150 2E12
185	10.5	18.5	23.5	33.5	42	132	HT185 2E10
	13	18.5	23.5	33.5	42	132	HT185 2E12
240	10.5	21	26.5	38.5	50	143	HT240 2E10
	13	21	26.5	38.5	50	143	HT240 2E12
300	13.7	23.5	30	43	55	144	HT3002E10
400	13.7	28.5	36.5	52.5	60	149	HT4002E10
500	13.7	30	39	56	65	160	HT5002E10
630	13.7	35	45	36.8	75	160	HT6302E10

• Also available with Blank Palm (without hole)

• Also available with inspection hole.

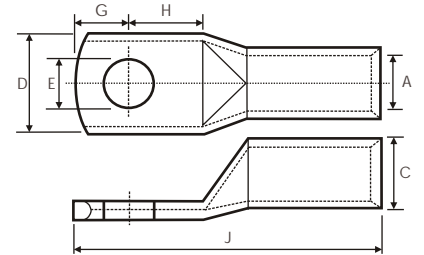
HIGH VOLTAGE COPPER TERMINALS - 33 KV

MATERIAL : E - COPPER • FINISH : ELECTRO TINNED

- These terminals are designed for high voltage applications upto 33kv.
- They are manufactured from high purity copper tube, annealed & tin plated.
- The extended barrel enhances both electrical and mechanical performance.
- The absence of an inspection hole to prevent moisture entry into the crimped joint makes these terminals suitable for outdoor applications.

Cable mm ²	Stud Hole E	Dimensions						Product Code	
		A	C	D	G	H	J		
25	8	6.8	10.0	14.0	8.0	9.0	65.0	HVCT 25 - 8	
	10	6.8	10.0	18.0	11.0	13.0	72.0	HVCT 25 - 10	
	12	6.8	10.0	21.0	14.0	16.0	78.0	HVCT 25 - 12	
35	12	8.2	12.5	21.0	14.0	16.0	79.0	HVCT 35 - 12	
	16	8.2	12.5	26.0	17.0	19.0	85.0	HVCT 35 - 16	
	50	12	9.5	14.5	21.0	14.0	16.0	79.0	HVCT 50 - 12
50	16	9.5	14.5	26.0	17.0	19.0	85.0	HVCT 50 - 16	
	70	12	11.0	16.0	28.0	14.0	16.0	81.0	HVCT 70 - 12
	16	11.0	16.0	30.0	17.0	19.0	87.0	HVCT 70 - 16	
95	12	13.5	19.0	28.0	14.0	16.0	91.0	HVCT 95 - 12	
	14	13.5	19.0	29.0	16.0	18.0	95.0	HVCT 95 - 14	
	16	13.5	19.0	30.0	17.0	20.0	97.0	HVCT 95 - 16	
120	12	15.0	20.5	31.0	14.0	16.0	97.0	HVCT 120 - 12	
	14	15.0	20.5	31.0	16.0	18.0	101.0	HVCT 120 - 14	
	150	12	16.5	23.0	32.0	14.0	16.0	97.0	HVCT 150 - 12
150	14	16.5	23.0	32.0	16.0	18.0	101.0	HVCT 150 - 14	
	185	14	17.0	23.5	32.5	16.0	18.0	101.0	HVCT 185 - 14
	240	14	19.2	25.5	44.0	16.0	18.0	105.0	HVCT 240 - 14
300	14	23.5	32.0	43.0	16.0	18.0	105.0	HVCT 300 - 14	
400	14	27.0	38.0	51.0	19.0	22.0	140.0	HVCT 400 - 14	
	16	27.0	38.0	51.0	19.0	22.0	140.0	HVCT 400 - 16	
	20	27.0	38.0	51.0	23.0	24.0	146.0	HVCT 400 - 20	
500	16	30.3	41.0	56.5	19.0	22.0	147.0	HVCT 500 - 16	
	20	30.3	41.0	56.5	23.0	24.0	153.0	HVCT 500 - 20	
	630	16	33.4	43.0	61.5	19.0	22.0	159.0	HVCT 630 - 16
20		33.4	43.0	61.5	23.0	24.0	165.0	HVCT 630 - 20	

Note : All dimensions in mm



SPECIAL CABLE TERMINAL ENDS

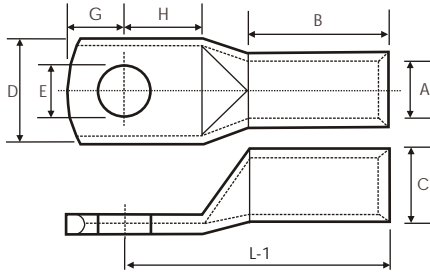
We have specially developed these terminals for supply to leading manufacturers of Panel Builders, Distribution Boards, Transformers, Railways, Power Stations, etc. HEX has all the expertise needed in developing & manufacturing special types of terminal ends as per customers design & specifications.



TUBULAR COMPRESSION CABLE LUGS (AS PER DIN 46235)

MATERIAL : E - COPPER • FINISH : UNCOATED / ELECTRO TINNED

- Circular Stranded Copper Conductor to DIN 48201 and Circular Stranded / Sector Shaped Conductor to DIN VDE 0295.



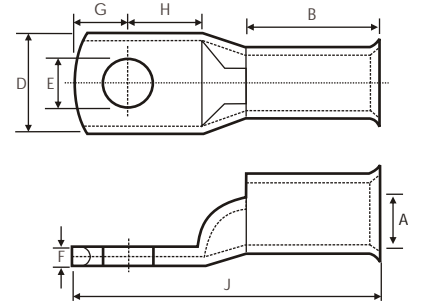
Cable mm ²	Stud Hole E	Dimensions							Product Code
		D	A	B	C	G	H	L-1	
6	5.3	8.5	3.8	10	5.5	6.5	7.5	24	HUTD 6 - 5
10	6.5	8.5	4.5	10	6	7	8.5	27.5	HUTD 10 - 6
16	6.5	12	5.5	20	8.5	7.5	8	35	HUTD 16 - 6
	8.4	12	5.5	20	8.5	10	10	35	HUTD 16 - 8
	10.5	17	5.5	20	8.5	12	12	37	HUTD 16 - 10
	13	19	5.5	20	8.5	13	13	37	HUTD 16 - 12
25	6.5	15	7	20	10	7.5	8	39	HUTD 25 - 6
	8.4	15	7	20	10	10	10	39	HUTD 25 - 8
	10.5	17	7	20	10	12	12	39	HUTD 25 - 10
	13	19	7	20	10	13	13	39	HUTD 25 - 12
35	8.4	17	8.2	20	12.5	7.5	8	42	HUTD 35 - 8
	10.5	19	8.2	20	12.5	10	10	42	HUTD 35 - 10
	13	21	8.2	20	12.5	12	12	42	HUTD 35 - 12
50	8.4	22	10	28	14.5	10	10	51	HUTD 50 - 8
	10.5	22	10	28	14.5	12	12	51	HUTD 50 - 10
	13	23	10	28	14.5	13	13	51	HUTD 50 - 12
	17	28	10	28	14.5	14.5	14.5	51	HUTD 50 - 16
70	10.5	24	11.5	28	16.5	10	10	54	HUTD 70 - 10
	13	24	11.5	28	16.5	12	12	54	HUTD 70 - 12
	17	32	11.5	28	16.5	13	13	54	HUTD 70 - 16
	21	32	11.5	28	16.5	14.5	14.5	54	HUTD 70 - 20
95	10.5	28	13.5	35	19	12	12	64	HUTD 95 - 10
	13	28	13.5	35	19	12	12	64	HUTD 95 - 12
	17	32	13.5	35	19	13	13	67	HUTD 95 - 16
	21	34	13.5	35	19	14.5	14.5	67	HUTD 95 - 20
120	10.5	32	15.5	35	21	15	16	68	HUTD 120 - 10
	13	32	15.5	35	21	16	17	68	HUTD 120 - 12
	17	32	15.5	35	21	18	19	69	HUTD 120 - 16
	21	38	15.5	35	21	19	20	69	HUTD 120 - 20
150	10.5	34	17	35	23.5	15	16	77	HUTD 150 - 10
	13	34	17	35	23.5	16	17	77	HUTD 150 - 12
	17	34	17	35	23.5	19	20	77	HUTD 150 - 16
	21	40	17	35	23.5	19	20	77	HUTD 150 - 20
185	10.5	37	19	40	25.5	15	16	81	HUTD 185 - 10
	13	37	19	40	25.5	16	17	81	HUTD 185 - 12
	17	37	19	40	25.5	19	20	81	HUTD 185 - 16
	21	40	19	40	25.5	19	20	81	HUTD 185 - 20
240	10.5	42	21.5	40	29	16	17	91	HUTD 240 - 10
	13	42	21.5	40	29	19	20	91	HUTD 240 - 12
	17	42	21.5	40	29	19	20	91	HUTD 240 - 16
	21	46	21.5	40	29	21	22	91	HUTD 240 - 20
300	13	48	24	50	32	19	22	100	HUTD 300 - 12
	17	48	24	50	32	19	22	100	HUTD 300 - 16
	21	48	24	50	32	22	22	100	HUTD 300 - 20
400	17	55	27.5	70	38.5	25	25	115	HUTD 400 - 16
	21	55	27.5	70	38.5	25	25	115	HUTD 400 - 20
500	21	60	31	70	42	25	25	127	HUTD 500 - 20
630	21	60	34.5	80	44	25	25	135	HUTD 630 - 20
800	21	70	40	100	52	30	30	165	HUTD 800 - 20
1000	21	80	44	100	58	30	30	165	HUTD 1000 - 20

Note : All dimensions in mm

CABLE TERMINAL ENDS AS PER AUSTRALIAN STANDARD

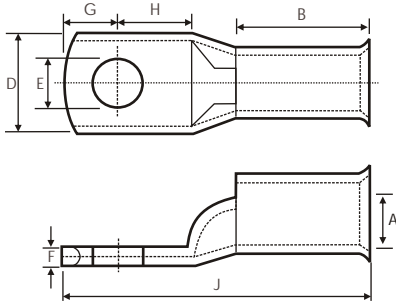
MATERIAL : E - COPPER • FINISH : ELECTRO TINNED

Cable mm ²	Stud Hole E	Dimensions							Product Code
		A	D	F	B	G	H	J	
1.5 - 4	4.2	2	8	1.0	7.5	4	5	18.5	HAHT - 1.5-4
1.5 - 5	5.2	2	8	1.0	7.5	4	5	18.5	HAHT - 1.5-5
1.5 - 6	6.5	2	10	0.8	7.5	4	6	19.5	HAHT - 1.5-6
2.5 - 4	4.2	2.5	8	1.0	8	4	5	19	HAHT - 2.5-4
2.5 - 5	5.2	2.5	10	0.8	8	5	6	20	HAHT - 2.5-5
2.5 - 6	6.5	2.5	10	0.8	8	5	6	20	HAHT - 2.5-6
2.5 - 8	8.4	2.5	11	0.7	8	6	9	26	HAHT - 2.5-8
4 - 5	5.2	3.3	10	1.0	9	5	6	22	HAHT - 4-5
4 - 6	6.5	3.3	10	1.0	9	5	6	22	HAHT - 4-6
4 - 8	8.4	3.3	12	0.8	9	6	9	26	HAHT - 4-8
4 - 10	10.2	3.3	15	0.8	9	8	11	32	HAHT - 4-10
6 - 5	5.2	3.8	10	1.2	10	5	6	23	HAHT - 6-5
6 - 6	6.5	3.8	12	1.0	10	6	9	27	HAHT - 6-6
6 - 8	8.4	3.8	12	1.0	10	6	9	27	HAHT - 6-8
6 - 10	10.2	3.8	15	0.8	10	8	11	32	HAHT - 6-10
10 - 5	5.2	4.7	12	1.8	10	6	7	27	HAHT - 10-5
10 - 6	6.5	4.7	12	1.8	10	6	7	27	HAHT - 10-6
10 - 8	8.4	4.7	14	1.6	10	7	8	29	HAHT - 10-8
10 - 10	10.5	4.7	15	1.5	10	8	10	32	HAHT - 10-10
10 - 12	13	4.7	18	1.0	10	10	12	38	HAHT - 10-12
16 - 6	6.5	5.5	11	2.4	19	7	9	39	HAHT - 16-6
16 - 8	8.4	5.5	14	1.7	19	7	9	39	HAHT - 16-8
16 - 10	10.5	5.5	16	1.5	19	8	10	41	HAHT - 16-10
16 - 12	13	5.5	18	1.2	19	10	13	46	HAHT - 16-12
25 - 6	6.5	7.1	13.5	2.4	21	7	9	41	HAHT - 25-6
25 - 8	8.4	7.1	13.5	2.4	21	7	9	41	HAHT - 25-8
25 - 10	10.5	7.1	16	1.9	21	9	10	44	HAHT - 25-10
25 - 12	13	7.1	18	1.6	21	10	13	48	HAHT - 25-12
35 - 6	6.5	8.4	16	3.0	21	9	10	45	HAHT - 35-6
35 - 8	8.4	8.4	16	3.0	21	9	10	45	HAHT - 35-8
35 - 10	10.5	8.4	18	2.6	21	9	10	45	HAHT - 35-10
35 - 12	13	8.4	20	2.2	22	11	13	51	HAHT - 35-12
50 - 6	6.5	9.5	18	3.3	22	8	10	46	HAHT - 50-6
50 - 8	8.4	9.5	18	3.3	22	8	10	46	HAHT - 50-8
50 - 10	10.5	9.5	18	3.3	22	8	10	52	HAHT - 50-10
50 - 12	13	9.5	21	2.7	22	11	13	54	HAHT - 50-12
70 - 6	6.5	11.3	21	3.5	22	11	13	54	HAHT - 70-6
70 - 8	8.4	11.3	21	3.5	24	11	13	54	HAHT - 70-8
70 - 10	10.5	11.3	21	3.5	24	11	13	54	HAHT - 70-10
70 - 12	13	11.3	21	3.5	24	11	13	54	HAHT - 70-12
70 - 16	17	11.3	26	3.0	24	14	60	61	HAHT - 70-16
95 - 8	8.4	13.5	25	4.0	27	12	14	60	HAHT - 95-8
95 - 10	10.5	13.5	25	4.0	27	12	14	60	HAHT - 95-10
95 - 12	13	13.5	25	4.0	27	12	14	60	HAHT - 95-12
95 - 16	17	13.5	25	3.5	27	14	16	61	HAHT - 95-16
120 - 8	8.4	15.6	30	5.0	30	12	14	64	HAHT - 120-8
120 - 10	10.5	15.6	30	5.0	30	12	14	64	HAHT - 120-10
120 - 12	13	15.6	30	5.0	30	12	14	64	HAHT - 120-12
120 - 16	17	15.6	30	5.0	30	16	16	72	HAHT - 120-16



CABLE TERMINAL ENDS AS PER AUSTRALIAN STANDARD

MATERIAL : E - COPPER • FINISH : ELECTRO TINNED

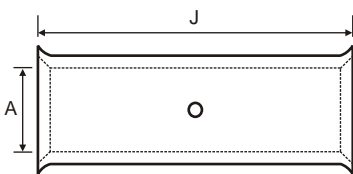


Cable mm ²	Stud Hole E	Dimensions							Product Code
		A	D	F	B	G	H	J	
150 - 10	10.5	16.7	32	5.8	30	16	16	71	HAHT - 150-10
150 - 12	13	16.7	32	5.8	32	18	18	75	HAHT - 150-12
150 - 16	17	16.7	32	5.8	30	18	18	75	HAHT - 150-16
185 - 10	18.4	10.5	36	5.8	32	16	16	74	HAHT - 185-10
185 - 12	13	18.5	36	5.8	32	18	18	79	HAHT - 185-12
185 - 16	17	18.4	36	5.8	32	18	18	79	HAHT - 185-16
240 - BL	--	21.2	41	7.0	38	21	21	92	HAHT - 240-BL
240 - 10	10.5	21.2	41	7.0	38	21	21	92	HAHT - 240-10
240 - 12	13	21.2	41	7.0	38	21	21	92	HAHT - 240-12
240 - 16	17	21.2	41	7.0	38	21	21	92	HAHT - 240-16
300 - BL	--	23.8	46	7.8	42	23	23	101	HAHT - 300-BL
300 - 12	13	23.8	46	7.8	42	23	23	101	HAHT - 300-12
300 - 16	17	23.8	46	7.8	42	23	23	101	HAHT - 300-16
400 - BL	--	26.8	50	8.0	44	24	24	107	HAHT - 400-BL
500 - BL	--	30.0	56	9.0	50	27	27	119	HAHT - 500-BL
630 - BL	--	34.0	64.4	11.0	58	32	32	139	HAHT - 630-BL

* Bell Mouth Lugs starts from 10 mm² & are upto 300 mm²

Note : All dimensions in mm

CONNECTOR AS PER AUSTRALIAN STANDARD



Cable Size	Dimensions	
	A	J
HAHC - 2.5	2.50	22.2
HAHC - 4	3.30	22.2
HAHC - 6	3.70	22.2
HAHC - 10	4.70	22.2
HAHC - 16	5.50	44.4
HAHC - 25	7.10	47.6
HAHC - 35	8.40	47.6
HAHC - 50	9.500	47.6
HAHC - 70	11.00	50.8
HAHC - 95	13.40	54.0
HAHC - 120	15.50	65.1
HAHC - 150	16.30	65.1
HAHC - 185	18.40	65.1
HAHC - 240	21.20	88.9
HAHC - 300	23.80	88.9
HAHC - 400	26.80	88.9
HAHC - 500	30.00	114.3
HAHC - 630	33.50	114.3

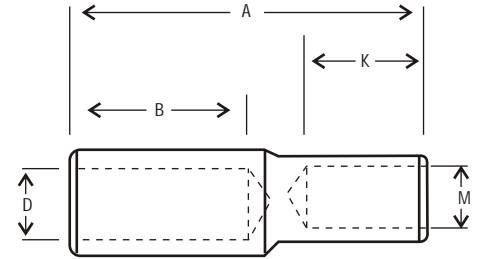
* Bell Mouth Lugs starts from 10 mm² & are upto 300 mm²

Note : All dimensions in mm

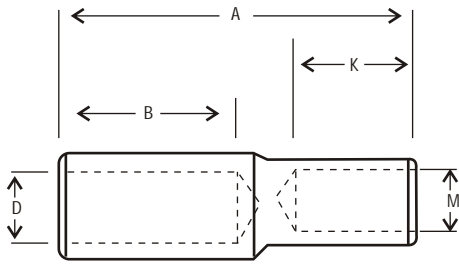
TINNED COPPER REDUCING LINKS

MATERIAL : E - COPPER • FINISH : ELECTRO TINNED

Cable mm ²	Dimensions					Product Code
	A	B	D	K	M	
6	30	10	4	10	3.0	HCRL-6-4
10	30	10	4.5	10	4.0	HCRL-10-6
16	40	19	5.5	10	4.0	HCRL-16-6
	40	19	5.5	10	4.5	HCRL-16-10
25	40	21	7.5	10	4.0	HCRL-25-6
	40	21	7.5	10	4.5	HCRL-25-10
	50	21	7.5	19	5.5	HCRL-25-16
35	40	21	8.5	10	4.5	HCRL-35-10
	55	21	8.5	19	5.5	HCRL-35-16
	60	21	8.5	21	7.5	HCRL-35-25
50	45	22	9.5	10	4.5	HCRL-50-10
	55	22	9.5	19	5.5	HCRL-50-16
	55	22	9.5	21	7.5	HCRL-50-25
	60	22	9.5	21	8.5	HCRL-50-35
70	60	24	11.5	19	5.5	HCRL-70-16
	60	24	11.5	21	7.5	HCRL-70-25
	65	24	11.5	21	8.5	HCRL-70-35
	65	24	11.5	22	9.5	HCRL-70-50
95	65	27	13.5	21	7.5	HCRL-95-25
	65	27	13.5	21	8.5	HCRL-95-25
	70	27	13.5	22	9.6	HCRL-95-50
	70	27	13.5	24	11.5	HCRL-95-70
120	70	30	15.5	21	8.5	HCRL-120-35
	70	30	15.5	22	9.5	HCRL-120-50
	75	30	15.5	24	11.5	HCRL-120-70
	75	30	15.5	27	13.5	HCRL-120-95
150	70	30	16.5	22	9.5	HCRL-150-50
	75	30	16.5	24	11.5	HCRL-150-70
	80	30	16.5	27	13.5	HCRL-150-95
	80	30	16.5	30	15.5	HCRL-150-120
185	75	32	18.5	24	11.5	HCRL-185-70
	80	32	18.5	27	13.5	HCRL-185-95
	85	32	18.5	30	15.5	HCRL-185-120
	85	32	18.5	30	16.5	HCRL-185-150
240	85	38	21.5	27	13.5	HCRL-240-95
	90	38	21.5	30	15.5	HCRL-240-120
	90	38	21.5	30	16.5	HCRL-240-150
	95	38	21.5	32	18.5	HCRL-240-185
300	95	42	23.5	30	15.5	HCRL-300-120
	95	42	23.5	30	16.5	HCRL-300-150
	100	42	23.5	32	18.5	HCRL-300-185
	105	42	23.5	38	21.5	HCRL-300-240
400	110	55	26.5	30	16.5	HCRL-400-150
	110	55	26.5	32	18.5	HCRL-400-185
	125	55	26.5	38	21.5	HCRL-400-240
	125	55	26.5	42	23.5	HCRL-400-300
500	115	55	30	32	18.5	HCRL-500-185
	120	55	30	38	21.5	HCRL-500-240
	125	55	30	42	23.5	HCRL-500-300
	140	55	30	55	26.5	HCRL-500-400



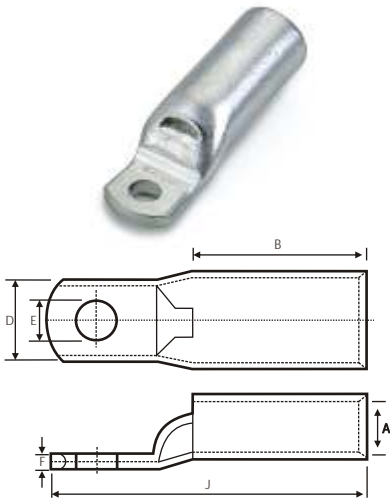
TINNED COPPER REDUCING LINKS



Cable mm ²	Dimensions					Product Code
	A	B	D	K	M	
630	120	56	34.5	38	21.5	HCRL-630-240
	125	56	34.5	42	23.5	HCRL-630-300
	140	56	34.5	55	26.5	HCRL-630-400
	140	56	34.5	55	30.0	HCRL-630-500

NARROW PALM - CIRCUIT BREAKER CABLE TERMINAL ENDS

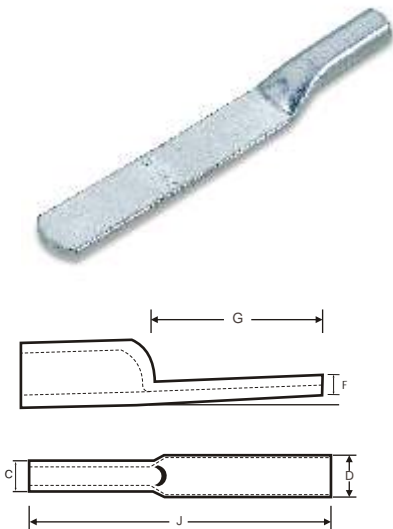
MATERIAL : E - COPPER • FINISH : ELECTRO TINNED



Cable mm ²	Dimensions					Product Code
	A	D	F	B	J	
35	8.2	15.0	3.0	21.0	41.0	HNP 35-6
50	9.5	15.0	3.2	22.0	43.0	HNP 50-6
	9.5	19.0	3.2	22.0	49.0	HNP 50-10
70	11.2	17.0	3.3	24.0	45.0	HNP 70-6
	11.2	19.0	3.3	24.0	51.0	HNP 70-10
95	13.4	19.0	3.9	27.0	51.0	HNP 95-8
	13.4	19.0	3.9	27.0	55.0	HNP 95-10
120	15.6	19.0	5.0	30.0	61.0	HNP 120-8
	15.6	19.0	5.0	30.0	61.0	HNP 120-10
150	16.7	19.0	5.5	30.0	66.0	HNP 150-8
	16.7	19.0	5.5	30.0	66.0	HNP 150-10
185	18.4	31.0	5.7	38.0	82.0	HNP 185-10
240	21.2	31.0	7.1	38.0	82.0	HNP 240-10
300	23.5	31.0	7.8	42.0	87.0	HNP 300-10

LONG PALM LONG BARREL CABLE TERMINALS

MATERIAL : E - COPPER • FINISH : ELECTRO TINNED



Cable mm ²	Dimensions					Product Code
	C	J	D	G	F	
16	5.5	86	16	61	1.5	HCPB-16
25	7.1	95	16	61	1.9	HCPB-25
35	8.2	112	18	72	2.6	HCPB-35
50	9.5	130	18.2	80	3.3	HCPB-50
70	11.2	154	21.2	100	3.5	HCPB-70
95	13.4	161	25	100	3.9	HCPB-95
120	15.6	168	28.5	100	5.0	HCPB-120
150	16.7	169	32	100	5.8	HCPB-150
185	18.7	174	34	100	7.1	HCPB-185
240	21.2	192	40	100	7.1	HCPB-240
300	23.5	208	45	105	7.7	HCPB-300
400	26.8	228	50	110	7.8	HCPB-400
500	30	235	56	110	8.5	HCPB-500
630	34	247	65	110	10.9	HCPB-630

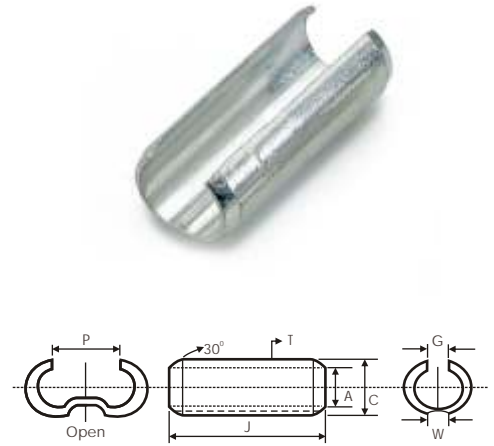
SOLDERING TYPE COPPER WEAK BACK FERRULES

MATERIAL : E - COPPER • FINISH : ELECTRO TINNED

Cable mm ²	Dimensions							Product Code
	A	C	D	G	H	B	J	
6	3	4.6	2	20	0.8	3	-	HWB 6
10	4.4	6	2	25	0.8	4	-	HWB 10
16	5.5	7.5	2	25	1	5	1.5	HWB 16
25	7	9	2	30	1	7	1.5	HWB 25
35	8	10.4	2	35	1.2	8	1.5	HWB 35
50	9.5	11.9	2	40	1.2	9	1.5	HWB 50
70	12	14.8	3	45	1.4	12	3	HWB 70
95	13.5	16.3	3	50	1.4	13	3	HWB 95
120	15.5	18.7	4	55	1.6	15	3	HWB 120
150	17	20.6	4	60	1.8	16	3	HWB 150
185	18.5	22.9	4	65	2.2	18	5	HWB 185
225	20.5	24.9	5	75	2.2	20	5	HWB 225
240	22	26.4	5	80	2.2	21	5	HWB 240
300	24	29.6	5	85	2.8	23	5	HWB 300
400	28.5	34.7	7	95	3.1	27	5	HWB 400
500	30.5	37.5	7	105	3.5	30	5	HWB 500
625	34.5	42.5	8	115	4	33	5	HWB 625

• Ferrules are supplied in open form.

Note : All dimensions in mm



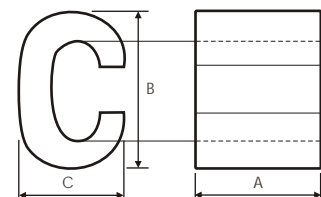
COPPER 'C' TYPE CONNECTORS

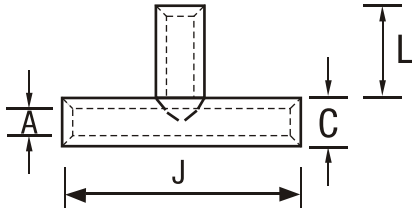
MATERIAL : E - COPPER • FINISH : COPPER / ELECTRO TINNED

Cable mm ²	Dimensions			Product Code
	A	B	C	
C6 - C6	9	9,8	6,4	HCC 6 - 6
C10 - C10	12	12,6	8,4	HCC 10 - 10
C16 - C16	17	19,4	12,0	HCC 16 - 16
C25 - C25	17	21,4	13,0	HCC 25 - 25
C35 - C35	21	26,6	15,6	HCC 35 - 35
C50 - C50	26	38,0	21,0	HCC 50 - 50
C70 - C70	28	34,0	21,0	HCC 70 - 70
C95 - C95	29	41,0	26,0	HCC 95 - 95
C120 - C120	30	45,0	28,0	HCC 120 - 120
C150 - C150	30	48,0	28,0	HCC 150 - 150
C185 - C185	32	52,0	32,0	HCC 185 - 185
C240 - C240	32	55,0	38,0	HCC 240 - 240

* Add 'T' for Tinned Connectors

Note : All dimensions in mm



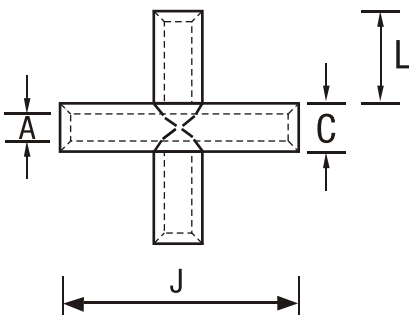


T - CONNECTORS

- Standard type
- Material : E - Copper
- Finish : Copper / Tin Plated

Cable mm ²	Dimensions				Product Code
	A	C	J	L	
1.5	1.8	3.3	30	12	HTCW-1.5
2.5	2.3	4.2	30	12	HTCW-2.5
4	3.0	5.0	30	12	HTCW-4
6	4.0	6.0	35	14	HTCW-6
10	4.5	7.0	35	14	HTCW-10
16	5.5	8.5	50	21	HTCW-16
25	7.0	10.0	55	23	HTCW-25
35	8.5	12.0	70	30	HTCW-35
50	10.0	14.0	80	34	HTCW-50
70	12.0	16.5	85	35	HTCW-70
95	13.5	18.0	90	36	HTCW-90
120	15.0	19.5	95	38	HTCW-120
150	16.5	21.0	110	44	HTCW-150
185	19.0	24.0	115	45	HTCW-185
240	21.0	26.0	130	52	HTCW-240

Also available in aluminium on request



CROSS- CONNECTORS

- Standard type
- Material: E - Copper
- Finish : Copper / Tin Plated

Cable mm ²	Dimensions				Product Code
	A	C	J	L	
1.5	1.8	3.3	30	12	HCCW-1.5
2.5	2.3	4.2	30	12	HCCW-2.5
4	3.0	5.0	30	12	HCCW-4
6	4.0	6.0	35	14	HCCW-6
10	4.5	7.0	35	14	HCCW-10
16	5.5	8.5	50	21	HCCW-16
25	7.0	10.0	55	23	HCCW-25
35	8.5	12.0	70	30	HCCW-35
50	10.0	14.0	80	34	HCCW-50
70	12.0	16.5	85	35	HCCW-70
95	13.5	18.0	90	36	HCCW-90
120	15.0	19.5	95	38	HCCW-120
150	16.5	21.0	110	44	HCCW-150
185	19.0	24.0	115	45	HCCW-185
240	21.0	26.0	130	52	HCCW-240

Also available in aluminium on request

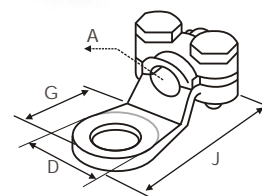
MECHANICAL CABLE LUGS - BOLTED WITH 2 SCREWS AND 4 SCREWS

MATERIAL : BRASS • FINISH : ELECTRO PLATED

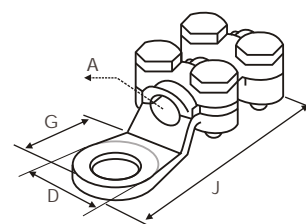
STEEL SCREWS : ELECTRO PLATED

Cable mm ²	Dimensions						Product Code
	A	G	D	J	Screw	Type	
10	4.0	6.0	15.0	32.5	M - 5	I	H2B - 10
16	5.1	8.5	17.0	37.0	M - 5	I	H2B - 16
25	6.3	8.5	18.75	42.0	M - 5	I	H2B - 25
35	7.5	10.5	21.50	47.0	M - 5	I	H2B - 35
50	9.5	10.5	23.0	56.5	M - 6	II	H4B - 50
75	11.0	13.25	26.0	61.0	M - 6	II	H4B - 75
100	13.0	14.30	29.0	65.0	M - 6	II	H4B - 100
120	14.0	14.80	32.0	71.0	M - 6	II	H4B - 120
170	16.0	16.0	33.0	81.0	M - 8	II	H4B - 170
200	17.0	17.0	35.0	85.0	M - 8	II	H4B - 200
250	18.0	17.0	38.0	87.5	M - 8	II	H4B - 250
300	21.0	19.8	45.0	118	M - 10	II	H4B - 300
400/500	25.5	22.0	53.0	132	M - 10	II	H4B - 400/500
700	34.0	22.0	60.0	150	M - 10	II	H4B - 700

Note : All dimensions in mm



TYPE I



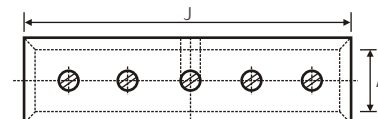
TYPE II

TINNED SCREW SLEEVES

MATERIAL : BRASS • FINISH : ELECTRO TINNED

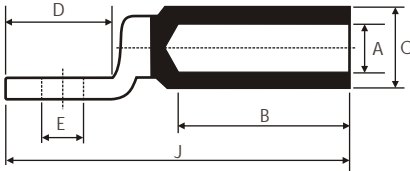
Cable mm ²	Dimensions		Product Code
	A	J	
6	3.5	20	HTBSS 6
10	4.4	30	HTBSS 10
16	5.5	40	HTBSS 16
25	6.8	45	HTBSS 25
35	8.2	45	HTBSS 35
50	9.5	48	HTBSS 50
70	11.2	52	HTBSS 70
95	13.4	55	HTBSS 95
120	15	55	HTBSS 120
150	16.5	60	HTBSS 150
185	19	60	HTBSS 185
240	21	65	HTBSS 240
300	23.5	65	HTBSS 300

Note : All dimensions in mm



ALUMINIUM - COPPER BI-METAL TERMINALS (WITH COPPER PALMS)

Al-Cu Bi-metal terminals are used for connecting aluminium cables to copper busbars.



Cable mm ²	Dimensions						Product Code
	A	C	D	E	J	B	
16	5.5	16	20	10.3	79	43	HBT 16-10
25	6.5	16	20	10.3	79	43	HBT 25-10
35	8	16	20	10.3	79	43	HBT 35-10
50	9	20	25	12.8	85	43	HBT 50-12
70	11	20	25	12.8	85	43	HBT 70-12
95	12.5	20	25	12.8	85	43	HBT 95-12
120	13.7	25	30	12.8	108	59	HBT 120-12
150	15.5	25	30	12.8	108	59	HBT 150-12
185	17	32	35	14.5	115	59	HBT 185-14
240	19.5	32	35	14.5	115	59	HBT 240-14
300	23.3	40	36	16.5	137	85	HBT 300-16
400	26	40	36	16.5	153.5	85	HBT 400-16
500*	29.1	47	60X60	4 ø 9	196	95	HBT 500-16
630*	33.5	47	60X60	4 ø 9	196	95	HBT 630 4 X 9
800*	37.5	53	80X80	4 ø 9	232	100	HBT 800 4 X 9
1000*	42	60	80X80	4 ø 9	256	126	HBT 1000 4 X 9
1300*	46.5	65	80X80	4 ø 11	267	136	HBT 1300 4 X 11

* Square Palm

Note : All dimensions in mm

Crimping Test Applied Force : Upto 240 mm² - 1.2 x 10⁵ N.
 300 mm² to 630 mm² - 2.0 x 10⁵ N.
 Above 630 mm² - 4.0 x 10⁵ N.

Construction : Forged circular copper palm is friction welded to an EC grade

Aluminium circular barrel thus achieving the best possible transition.

Made to order Bi - metallic terminals as per the customers specifications / samples / diagrams are also available.

ALUMINIUM - COPPER BI - METAL CONNECTOR / SPLICE

MATERIAL : E - COPPER • FINISH : UNCOATED / ELECTRO TINNED

Al-Cu Bi-Metal splice are used for joining Aluminium Cable to Copper Cable.

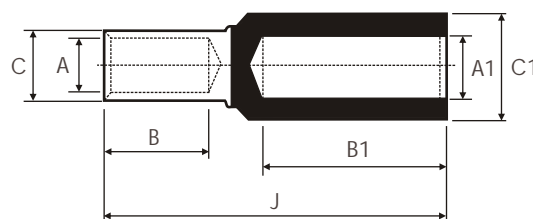
Cable Area mm ²		Dimensions							Product Code
Al. Solid or stranded	Copper stranded	A	C	B	A1	C1	B1	J	
16	16	5.6	12.2	29	5.5	16	43	88	HBS 16 - 16
25	16	5.6	12.2	29	6.5	16	43	88	HBS 25 - 16
25	25	7	12.2	29	6.5	16	43	88	HBS 25 - 25
35	16	5.6	12.2	29	8	16	43	88	HBS 35 - 16
35	25	7	12.2	29	8	16	43	88	HBS 35 - 25
35	35	8	12.2	29	8	16	43	88	HBS 35 - 35
50	25	7	12.2	29	9	20	43	88	HBS 50 - 25
50	35	8	12.2	29	9	20	43	88	HBS 50 - 35
50	50	9.5	12.2	29	9	20	43	88	HBS 50 - 50
70	35	8	12.2	29	11	20	43	88	HBS 70 - 35
70	50	9.5	12.2	29	11	20	43	88	HBS 70 - 50
70	70	11	12.2	33	11	20	43	90	HBS 70 - 70
95	50	9.5	21	29	12.5	20	43	88	HBS 95 - 50
95	70	11	12.2	33	12.5	20	43	90	HBS 95 - 70
95	95	13	21	33	12.5	20	43	90	HBS 95 - 95
120	70	11	21	33	13.7	25	59	107	HBS 120 - 70
120	95	13	21	33	13.7	25	59	107	HBS 120 - 95
120	120	14.2	21	33	13.7	25	59	107	HBS 120 - 120
150	95	13	21	33	15.5	25	59	107	HBS 150 - 95
150	120	14.2	21	33	15.5	25	59	107	HBS 150 - 120
150	150	16	21	33	15.5	25	59	107	HBS 150 - 150
185	120	14.2	21	33	17	32	59	107	HBS 185 - 120
185	150	16	21	33	17	32	59	107	HBS 185 - 150
185	185	18	26.2	43	17	32	59	120	HBS 185 - 185
240	150	16	21	33	19.5	32	59	107	HBS 240 - 150
240	185	18	26.2	43	19.5	32	59	120	HBS 240 - 185
240	240	20	26.2	43	19.5	32	59	120	HBS 240 - 240

Note : All dimensions in mm

Crimping Test Applied Force : Upto 240 mm² - 1.2 x 10⁵ N.
 300 mm² to 630 mm² - 2.0 x 10⁵ N.
 Above 630 mm² - 4.0 x 10⁵ N.

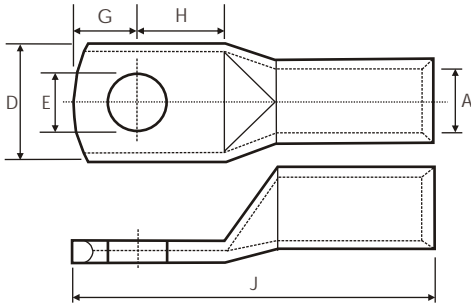
Construction : EC grade copper is friction welded to EC grade Aluminium.
 Further machined to required size.

Made to order Bi - metallic terminals as per the customers specifications /
 samples / diagrams are also available.



ALUMINIUM TERMINALS

MATERIAL : ALUMINIUM • FINISH : NATURAL / PASSIVATED ALUMINIUM



Cable mm ²	Stud Hole E	Dimensions					Product Code
		A	D	G	H	J	
16	8	5.5	21.0	11.0	13.0	77.0	HAT 16 - 8
25	8	6.5	21.0	11.0	13.0	77.0	HAT 25 - 8
35	8	8.0	23.0	11.0	13.0	77.5	HAT 35 - 8
	10	8.0	23.0	11.0	13.0	77.5	HAT 35 - 10
50	12	9.0	26.0	14.0	16.0	91.0	HAT 50 - 12
	14	9.0	26.0	16.0	18.0	95.0	HAT 50 - 14
70	12	11.0	27.0	14.0	16.0	91.0	HAT 70 - 12
	14	11.0	27.0	16.0	18.0	95.0	HAT 70 - 14
95	12	12.5	27.0	14.0	16.0	91.0	HAT 95 - 12
	14	12.5	27.0	16.0	18.0	95.0	HAT 95 - 14
120	12	13.7	35.0	14.0	16.0	115.0	HAT 120 - 12
	14	13.7	35.0	16.0	18.0	119.0	HAT 120 - 14
150	12	15.5	34.0	14.0	16.0	115.0	HAT 150 - 12
	14	15.5	34.0	16.0	18.0	119.0	HAT 150 - 14
185	12	17.0	42.0	14.0	20.0	122.0	HAT 185 - 12
	14	17.5	42.0	16.0	22.0	126.0	HAT 185 - 14
240	12	19.5	44.0	14.0	20.0	122.0	HAT 240 - 12
	14	19.5	44.0	16.0	22.0	126.0	HAT 240 - 14
300	12	22.5	47.0	14.0	22.0	130.0	HAT 300 - 12

Note : All dimensions in mm

- “HEX” Al. Terminals & Through Connectors are designed to accept a variety of conductor forms, especially low stranded compacted conductors.
- ONLY ON SPECIAL REQUEST : Barrels can be capped & filled with grease , to avoid oxidation of the conductor.

ALUMINIUM THROUGH CONNECTORS

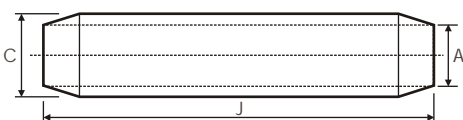
MATERIAL : ALUMINIUM • FINISH : NATURAL / PASSIVATED ALUMINIUM

Connectors are fully PVC insulated.

Cable mm ²	Dimensions			Product Code
	A	C	J	
16	5.5	16.0	90.5	HTAC 16
25	6.5	16.0	90.5	HTAC 25
35	8.0	16.0	90.5	HTAC 35
50	9.0	20.0	106.5	HTAC 50
70	11.0	20.0	106.5	HTAC 70
95	12.5	20.0	106.5	HTAC 95
120	13.7	25.0	133.0	HTAC 120
150	15.5	25.0	135.0	HTAC 150
185	17.0	32.0	143.5	HTAC 185
240	19.5	32.0	146.0	HTAC 240
300	22.5	34.0	144.5	HTAC 300

Note : All dimensions in mm

- ONLY ON SPECIAL REQUEST : Barrels can be capped & filled with grease , to avoid oxidation of the conductor.



ALUMINIUM SPLICE FOR LV & MV (UPTO 30 KV),

FOR SIMILIAR CABLE CROSS SECTIONAL AREAS

MATERIAL : ALUMINIUM
FINISH : NATURAL / PASSIVATED ALUMINIUM

Cable mm ²	Dimensions					Product Code
	A	C	L	B	J	
16	5.5	16	76	43	90	HASC 16
25	6.5	16	76	43	90	HASC 25
35	8	16	80	43	92	HASC 35
50	9	20	93	53	110	HASC 50
70	11	20	96	53	110	HASC 70
95	12.5	20	98	53	110	HASC 95
120	13.7	25	117	66	135	HASC 120
150	15.5	25	118	66	135	HASC 150
185	17	32	122	70	146	HASC 185
240	19.5	32	124	70	146	HASC 240
300	23.3	36	185	100	208	HASC 300
400	26	36	190	100	208	HASC 400
500	29.1	47	190	107	222	HASC 500
630	33.5	47	197	107	222	HASC 630
800	37.5	60	232	127	274	HASC 800
1000	42	60	240	128	276	HASC 1000

* Also Available for Dissimilar Cable Cross Sectional Area

- Note : All dimensions in mm
- ONLY ON SPECIAL REQUEST : Barrels can be capped & filled with grease , to avoid oxidation of the conductor.



ALUMINIUM FORGED CABLE LUGS

(AS PER DIN 46329)

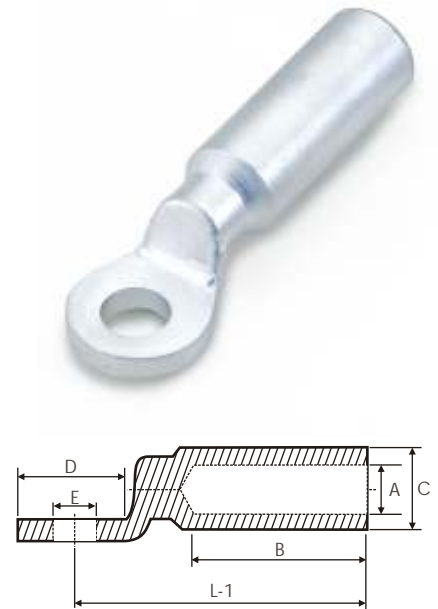
MATERIAL : ALUMINIUM • FINISH : NATURAL / PASSIVATED ALUMINIUM

Cable mm ²	Stud Hole E	Bolt	Dimensions					Product Code
			A	C	D	B	L-1	
16	8.4	M 8	5.8	12	20	30	50	HAFL 16-8
25	8.4	M 8	6.8	12	20	30	50	HAFL 25-8
35	8.4	M 8	8	14	25	42	62	HAFL 35-8
50	8.4	M 8	9.8	16	25	42	62	HAFL 50-8
70	8.4	M 8	11.2	18	25	52	72	HAFL 70-8
95	10.5	M 10	13.2	22	25	56	75	HAFL 95-10
120	10.5	M 10	14.7	22	30	56	80	HAFL 120-10
150	10.5	M 10	16.3	25	30	60	90	HAFL 150-10
185	10.5	M 10	18.3	28	30	60	91	HAFL 185-10
240	10.5	M 10	21	32	38	70	103	HAFL 240-10
300	13	M12	23.3	34	38	70	103	HAFL 300-12
400	13	M12	26	38	38	73	116	HAFL 400-12
500	13	M12	29	44	44	79	122	HAFL 500-12

* Other Hole sizes available on request.

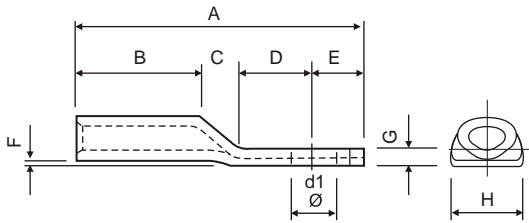
Note : All dimensions in mm

- ONLY ON SPECIAL REQUEST : Barrels can be capped & filled with grease , to avoid oxidation of the conductor.



ALUMINIUM 3-CORE SECTOR CABLE LUGS

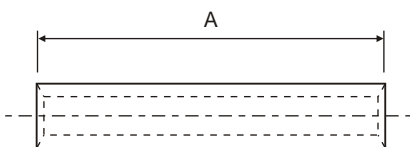
MATERIAL : ALUMINIUM • FINISH : NATURAL / PASSIVATED ALUMINIUM



Cable mm ²	Stud Ø	Dimensions									Product Code
		A	B	C	D	E	F	G	H	d1Ø	
25	8							4.1	15.2	8.4	HAL3-8-25
	10	65	25	8	17	12	1			10.4	HAL3-10-25
	12							2.9	21	12.5	HAL3-12-25
35	8							4.4	17.6	8.4	HAL3-8-35
	10	68	30	8	17	12	1			10.4	HAL3-10-35
	12							3.6	21	12.5	HAL3-12-35
50	10							4.5	20.3	8.4	HAL3-10-50
	12	71	32	10	17	12	1			10.4	HAL3-12-50
	16							2.9	21	12.5	HAL3-16-50
70	10							5	23.2	10.4	HAL3-10-70
	12	76	35.5	11	17	12	1			12.5	HAL3-12-70
	16							4.6	26	16.5	HAL3-16-70
95	10									10.4	HAL3-10-95
	12	82	39	14	17	12	1.5	5.7	27.7	12.5	HAL3-12-95
	16									16.5	HAL3-16-95
120	12									10.4	HAL3-12-120
	16	88	44	15	17	12	1.5	6.5	31	12.5	HAL3-16-120
	20									16.5	HAL3-20-120
150	12									12.4	HAL3-12-150
	16	100	47.5	16	20.5	16	1.5	7.2	34.7	16.5	HAL3-16-150
	20									20.5	HAL3-20-150
185	12									12.4	HAL3-12-185
	16	106	47.5	16	20.5	16	1.5	7.2	34.7	16.5	HAL3-16-185
	20									20.5	HAL3-20-185
240	20	116	55.5	20.5	22	18	2	5.7	43.6	20.5	HAL3-0-240
300	20	128.5	60.5	23	25	20	2	9.7	49.2	20.5	HAL3-0-300

ALUMINIUM SECTOR FERRULES

MATERIAL : ALUMINIUM • FINISH : NATURAL / PASSIVATED ALUMINIUM



HAL3
3-CORE
SECTOR



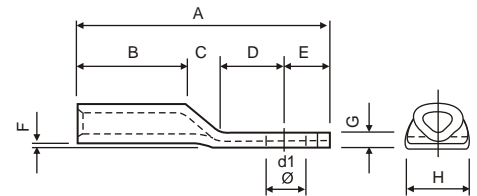
HAL4
4-CORE
SECTOR

Cable Size mm ²	A	Product Code	
		3-CORE SECTOR	4-CORE SECTOR
25	66	HAL-3F-25	HAL-4F-25
35	70	HAL-3F-35	HAL-4F-35
50	74	HAL-3F-50	HAL-4F-50
70	78	HAL-3F-70	HAL-4F-70
95	84	HAL-3F-95	HAL-4F-95
120	91	HAL-3F-120	HAL-4F-120
150	102	HAL-3F-150	HAL-4F-150
185	108	HAL-3F-185	HAL-4F-185
240	118	HAL-3F-240	HAL-4F-240
300	130	HAL-3F-300	HAL-4F-300
400	140	---	---
500	155	---	---
630	172	---	---
800	---	---	---
1000	---	---	---

ALUMINIUM 4-CORE SECTOR CABLE LUGS

MATERIAL : ALUMINIUM • FINISH : NATURAL / PASSIVATED ALUMINIUM

Cable mm ²	Stud Ø	Dimensions									Product Code
		A	B	C	D	E	F	G	H	d1Ø	
	8							4.1	15.2	8.4	HAL4-8-25
25	10	65	25	8	17	12	1			10.4	HAL4-10-25
	12							2.9	21	12.5	HAL4-12-25
	8							4.4	17.6	8.4	HAL4-8-35
35	10	68	30	8	17	12	1			10.4	HAL4-10-35
	12							3.6	21	12.5	HAL4-12-35
	10							4.5	20.3	8.4	HAL4-10-50
50	12	71	32	10	17	12	1			10.4	HAL4-12-50
	16							2.9	21	12.5	HAL4-16-50
	10							5	23.2	10.4	HAL4-10-70
70	12	76	35.5	11	17	12	1			12.5	HAL4-12-70
	16							4.6	26	16.5	HAL4-16-70
	10									10.4	HAL4-10-95
95	12	82	39	14	17	12	1.5	5.7	27.7	12.5	HAL4-12-95
	16									16.5	HAL4-16-95
	12									10.4	HAL4-12-120
120	16	88	44	15	17	12	1.5	6.5	31	12.5	HAL4-16-120
	20									16.5	HAL4-20-120
	12									12.4	HAL4-12-150
150	16	100	47.5	16	20.5	16	1.5	7.2	34.7	16.5	HAL4-16-150
	20									20.5	HAL4-20-150
	12									12.4	HAL4-12-185
185	16	106	47.5	16	20.5	16	1.5	7.2	34.7	16.5	HAL4-16-185
	20									20.5	HAL4-20-185
240	20	116	55.5	20.5	22	18	2	5.7	43.6	20.5	HAL4-20-240
300	20	128.5	60.5	23	25	20	2	9.7	49.2	20.5	HAL4-20-300



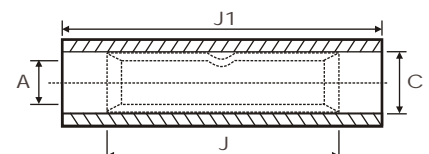
INSULATED IN-LINE CONNECTORS

MATERIAL : E - COPPER • FINISH : ELECTRO TINNED

Connectors are fully PVC insulated.

Cable mm ²	Dimensions				Product Code
	A	C	J	J1	
1.50	1.80	3.70	12.00	20.00	HTIC - 1.5
2.50	2.40	4.00	15.00	25.00	HTIC - 2.5
4.00	3.10	3.80	15.00	25.00	HTIC - 4
6.00	3.80	5.50	15.00	27.00	HTIC - 6

Note : All dimensions in mm

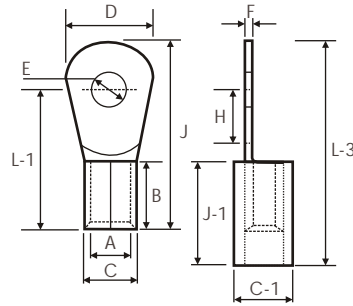


RING TYPE TINNED COPPER CABLE TERMINAL ENDS - INSULATED & NON INSULATED



MATERIAL : E - COPPER • FINISH : ELECTRO TINNED

COLOUR CODING OF INSULATION SLEEVE
1.5 - RED, 2.5 - BLUE, 4 - 6 - YELLOW



Cable mm ²	Stud Hole E	Dimensions								Non Insulated Prod. Code	Dimensions			Insulated Prod. Code
		A	C	D	F	B	H	L-1	J		J - 1	L - 3	C - 1	
1.5	2.2	1.6	3.2	6	0.8	5	4	11	14	HR - 7103	10	16	4.8	HRI - 7052
	2.6	1.6	3.2	6	0.8	5	4	11	14	HR - 7000	10	16	4.8	HRI - 7053
	3.2	1.6	3.2	6	0.8	5	4	11	14	HR - 7001	10	16	4.8	HRI - 7054
	3.7	1.6	3.2	6	0.8	5	4	11	14	HR - 7002	10	16	4.8	HRI - 7055
	4.2	1.6	3.2	6	0.8	5	4	11	14	HR - 7003	10	16	4.8	HRI - 7056
	5.2	1.6	3.2	8	0.8	5	5	12	16	HR - 7005	10	17	4.8	HRI - 7062
	6.4	1.6	3.2	10	0.8	5	6	13	18	HR - 7007	10	18	4.8	HRI - 7066
2.5	3.2	2.3	3.9	6.5	0.8	5	3.5	9.5	12.7	HR - 7107	10	14.5	5.5	HRI - 7068
	3.7	2.3	3.9	6.5	0.8	5	3.5	9.5	12.7	HR - 7008	10	14.5	5.5	HRI - 7069
	4.2	2.3	3.9	8	0.8	5	5	12	16	HR - 7009	10	17	5.5	HRI - 7071
	5.2	2.3	3.9	8	0.8	5	5	12	16	HR - 7010	10	17	5.5	HRI - 7072
	6.4	2.3	3.9	10	0.8	5	7	13	18	HR - 7011	10	18	5.5	HRI - 7074
	8.2	2.3	3.9	12	0.8	5	9	16	22	HR - 7013	10	21	5.5	HRI - 7077
	8.2	2.3	3.9	16	0.8	5	10	17	25	HR - 7014	10	22	5.5	HRI - 7079
	10.2	2.3	3.9	16	0.8	5	10	17	25	HR - 7015	10	22	5.5	HRI - 7080
12.7	2.3	3.9	18	0.8	5	14	20	29	HR - 7047	10	25	5.5	HRI - 7082	
4-6	4.2	3.5	5.5	10	1	6	5	14	19	HR - 7112	14	22	7.1	HRI - 7085
	5.2	3.5	5.5	10	1	6	5	14	19	HR - 7016	14	22	7.1	HRI - 7086
	6.4	3.5	5.5	12	1	6	6	14	20	HR - 7017	14	22	7.1	HRI - 7089
	8.2	3.5	5.5	12	1	6	6	14	20	HR - 7018	14	22	7.1	HRI - 7090
	8.2	3.5	5.5	14	1	6	10.5	18.5	25.5	HR - 7020	14	26.5	7.1	HRI - 7094
	9.7	3.5	5.5	14	1	6	10.5	18.5	25.5	HR - 7021	14	26.5	7.1	HRI - 7095
10	4.2	4.3	6.3	10	1	8	7	17	22	HR - 7118				
	5.2	4.3	6.3	10	1	8	7	17	22	HR - 7025				
	6.4	4.3	6.3	12	1	8	7	17	23	HR - 7120				
	8.2	4.3	6.3	16	1	8	7	19	27	HR - 7121				
	10.2	4.3	6.3	22	1	8	10	23	34	HR - 7123				
	12.7	4.3	6.3	22	1	8	10	23	34	HR - 7028				
16	6.4	5.6	8	16	1.2	10	8	22	30	HR - 7126				
	8.2	5.6	8	16	1.2	10	8	22	30	HR - 7030				
	10.2	5.6	8	22	1.2	10	8	24	35	HR - 7128				
	12.7	5.6	8	22	1.2	10	8	24	35	HR - 7033				
25	6.4	7.5	11.1	16	1.8	11	6	22	30	HR - 7129				
	8.2	7.5	11.1	16	1.8	11	6	22	30	HR - 7034				
	10.2	7.5	11.1	16	1.8	11	6	22	30	HR - 7035				
	12.7	7.5	11.1	22	1.8	11	14	31	42	HR - 7037				
35	6.4	9	12.6	16	1.8	12	6	23	31	HR - 7133				
	8.2	9	12.6	16	1.8	12	6	23	31	HR - 7038				
	10.2	9	12.6	22	1.8	12	15	31	42	HR - 7135				
	12.7	9	12.6	22	1.8	12	15	31	42	HR - 7040				

Note : All dimensions in mm



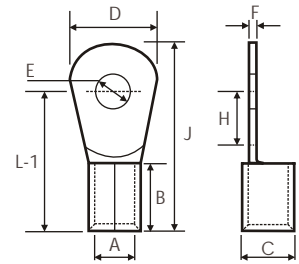
Only for Non-insulated cable terminal ends

RING TYPE TINNED COPPER CABLE TERMINAL ENDS (NON INSULATED)

MATERIAL : E - COPPER • FINISH : ELECTRO TINNED

Cable mm ²	Stud Hole E	Dimensions								Non Insulated Product Code
		A	C	D	F	B	H	L-1	J	
50	8.2	10.5	14.1	18	1.8	16	12	34	43	HR - 7136
	10.2	10.5	14.1	24	1.8	16	14	36	48	HR - 7138
	12.7	10.5	14.1	24	1.8	16	14	36	48	HR - 7042
	16.2	10.5	14.1	32	1.8	16	15	38	54	HR - 7139
70	10.2	12	16	22	2	18	11	36	47	HR - 7140
	12.7	12	16	22	2	18	11	36	47	HR - 7043
	16.2	12	16	28	2	18	16	40	54	HR - 7142
95	10.2	13.5	18.1	24	2.3	20	12	38	50	HR - 7144
	12.7	13.5	18.1	24	2.3	20	12	38	50	HR - 7044
	16.2	13.5	18.1	28	2.3	20	17	44	58	HR - 7145
120	12.7	15	20.2	26	2.6	22	7	39	52	HR - 7146
	20.3	15	20.2	40	2.6	22	20	52	72	HR - 7148
150	16.2	16.5	23.7	40	3.6	24	20	54	74	HR - 7150
	20.3	16.5	23.7	40	3.6	24	20	54	74	HR - 7046

Note : All dimensions in mm

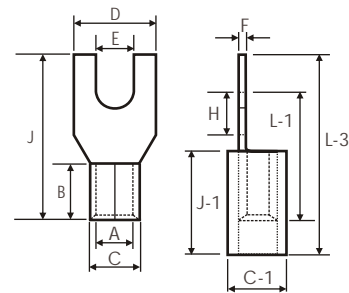


FORK TYPE TINNED COPPER CABLE TERMINAL ENDS (NON INSULATED & INSULATED)

MATERIAL : E - COPPER • FINISH : ELECTRO TINNED

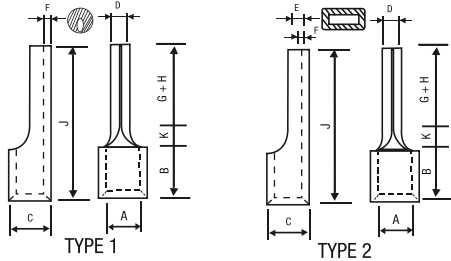
COLOUR CODING OF INSULATION SLEEVE

1.5 - RED, 2.5 - BLUE, 4 - 6 - YELLOW



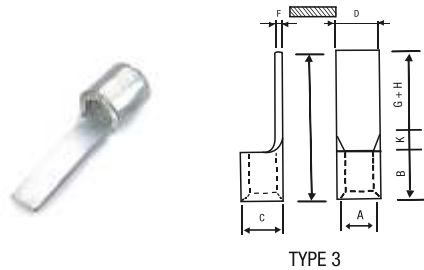
Cable mm ²	Stud Hole E	Dimensions								Non Insulated Product Code	Dimensions			Insulated Product Code
		A	C	D	F	B	H	J	L-1		C-1	J-1	L-3	
1.5	5.1	1.6	3.2	8	0.8	5	10	21	17	HF - 7214	4.8	10	27	HFI - 7925
	3.5	1.6	3.2	6.8	0.8	4	4.8	13	8.8	HF - 7249	4.8	10	20.8	HFI - 7926
	3	2	2.8	6.2	0.4	5	3.1	13	10.5	HF - 7250	4.8	10	20.5	HFI - 7927
2.5	3.5	2.3	3.9	6.5	0.8	5	4.3	15	11.8	HF - 7251	5.5	10	21.8	HFI - 7928
	5	2.6	4.6	10.6	1.6	6.2	6.2	21	12.4	HF - 7280	5.5	10	20	HFI - 7929
4 - 6	3.1	3.5	5.5	6	1	6	5.5	15	11.5	HF - 7252	7.1	14	27.5	HFI - 7930
	3.5	3.5	5.5	6	1	6	5	15	11	HF - 7253	7.1	14	27	HFI - 7931
10	6.5	4.5	6.9	16	1.2	8	11	27	19	HF - 7254	7.9	16	35	HFI - 7932
	8.2	4.5	6.9	16	1.2	8	11	27	19	HF - 7255	7.9	16	35	HFI - 7933

COPPER PIN TYPE CABLE TERMINAL ENDS



Cable mm ²	Stud Hole E	Dimensions							TYPE	Product Code
		A	C	D	F	B	G+H	J		
1.5	-	1.6	3.2	1.9	0.8	5	10	17	I	HP - 9
2.5	-	2.3	3.9	1.9	0.8	5	10	17	I	HP - 1
4	-	2.9	4.9	2.7	1	6	10	20	I	HP - 3
6	-	3.6	5.6	2.7	1	6	10	20	I	HP - 5
6	-	4	6	2.7	1	6	10	20	I	HP - 6
10	2.4	4.5	6.7	4.3	1.1	8	12	22	II	HP - 7
16	2.6	5.8	8.2	5.5	1.2	10	13	26	II	HP - 8
25	3.8	7.5	11.1	7.2	1.8	11	15	33	II	HP - 10
35	3.8	9	12.6	8.2	1.8	12	15	33	II	HP - 11
50	3.8	10.5	14.1	9	1.8	16	17	41	II	HP - 12
70	4.1	12	16	10	2	16	16	46	II	HP - 13
95	4.8	13.5	18.1	10	2.3	20	20	51	II	HP - 14

COPPER FLAT TYPE CABLE TERMINAL ENDS

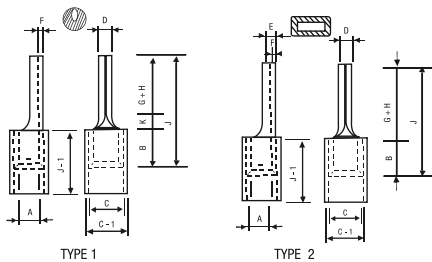


Cable mm ²	Stud Hole E	Dimensions							Product Code
		A	C	D	F	B	G+H	J	
1.5	-	1.6	3.2	3.1	0.8	5	10	17	HP - 35
2.5	-	2.3	3.9	3.1	0.8	5	10	17	HP - 2
4	-	3.6	5.6	5.1	1	6	10	20	HP - 4
6	-	3.5	5.5	5	1	6.4	12.4	20.4	HP - 15

COPPER INSULATED PIN TYPE CABLE TERMINAL ENDS

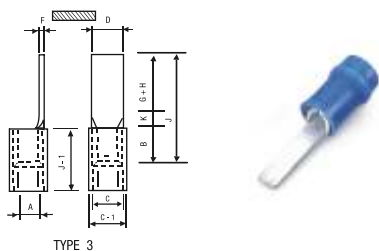


COLOUR CODING OF INSULATION SLEEVE 1.5 - RED, 2.5 - BLUE, 4 - 6 - YELLOW



Cable mm ²	Stud Hole E	Dimensions										TYPE	Product Code
		A	C	D	F	G	B	G+H	C-1	J-1			
1.5	-	1.6	3.2	1.9	0.8	5	10	17	4.8	10	I	HPI - 17	
2.5	-	2.3	3.9	1.9	0.8	5	10	17	5.5	10	I	HPI - 18	
4	-	2.9	4.9	2.7	1	6	10	20	7.1	14	I	HP - 20	
6	-	3.6	5.6	2.7	1	6	10	20	7.1	14	I	HP - 22	
6	-	4	6	2.7	1	6	10	20	7.9	14	I	HP - 23	
10	2.4	4.5	6.7	4.3	1.1	8	12	22	7.9	16	II	HP - 24	
16	2.6	5.8	8.2	5.5	1.2	10	13	26	10	20	II	HP - 25	

COPPER INSULATED FLAT TYPE CABLE TERMINAL ENDS

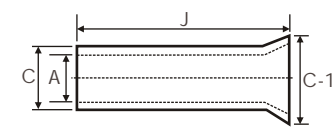


COLOUR CODING OF INSULATION SLEEVE 1.5 - RED, 2.5 - BLUE, 4 - 6 - YELLOW

Cable mm ²	Stud Hole E	Dimensions										Product Code
		A	C	D	F	G	B	G+H	C-1	J-1		
1.5	-	1.6	3.2	3.1	0.8	5	10	17	4.8	10	HPI - 40	
2.5	-	2.3	3.9	3.1	0.8	5	10	17	5.5	10	HPI - 19	
4	-	3.6	5.6	5.1	1	6	10	20	7.1	14	HPI - 21	

COPPER END SEALING FERRULES

MATERIAL : E - COPPER • FINISH : ELECTRO TINNED

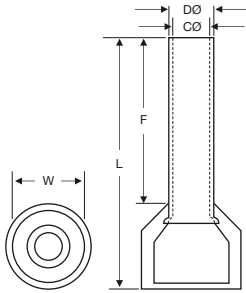


Cable mm ²	Dimensions				Product Code
	A	C	C-1	J	
0.5	1	1.4	2.1	6	HSF 508
0.75	1.4	1.8	2.5	6	HSF 509
1	1.6	2	2.7	6	HSF 510
	1.6	2	2.7	10	HSF 511
1.5	1.8	2.2	2.9	7	HSF 512
	1.8	2.2	2.9	10	HSF 513
2.5	2.3	2.7	2.9	7	HSF 514
	2.3	2.7	3.5	12	HSF 515
4	2.8	3.2	4	9	HSF 516
	2.8	3.2	4	12	HSF 517
6	3.7	4.1	4.8	10	HSF 518
	3.7	4.1	4.8	12	HSF 519
	3.7	4.1	4.8	15	HSF 520
10	4.6	5	5.8	18	HSF 521
	4.6	5	5.8	18	HSF 522
	4.6	5	5.8	18	HSF 523
16	5.9	6.3	7.5	12	HSF 524
	5.9	6.3	7.5	15	HSF 525
	5.9	6.3	7.5	18	HSF 526
25	6.7	7.2	9	12	HSF 527
	7.3	7.9	9.5	12	HSF 528
	7.3	7.9	9.5	15	HSF 529
	7.3	7.9	9.5	18	HSF 530
	7.3	7.9	9.5	20	HSF 531
35	8.3	8.9	11	15	HSF 532
	8.3	8.9	11	18	HSF 533
	8.3	8.9	11	20	HSF 534
	8.3	8.9	11	25	HSF 535
50	10.3	10.9	13	18	HSF 536
	10.3	10.9	13	22	HSF 537
	10.3	10.9	13	25	HSF 538
	10.3	10.9	13	30	HSF 539
70	12.5	13.3	15	22	HSF 540
	12.5	13.3	15	25	HSF 541
	12.5	13.3	15	30	HSF 542
95	14.5	15.3	17	25	HSF 543
	14.5	15.3	17	30	HSF 544
	14.5	15.3	17	32	HSF 545
120	16.5	17.5	19	30	HSF 546
	16.5	17.5	19	32	HSF 547
	16.5	17.5	19	34	HSF 548

Note : All dimensions in mm

INSULATED END-SEALING FERRULES

MATERIAL : E - COPPER • FINISH : ELECTRO TINNED



Colour of Insulation	Cable mm ²	Dimensions					Product Code
		F	L	W	DØ	CØ	
White	0.5	6.0	12.0	2.6	1.3	1.0	HE0506
		8.0	14.0				HE0508
		10.0	16.4				HE0510
		12.0	18.4				HE0512
Blue	0.75	6.0	12.4	2.8	1.5	1.2	HE7506
		8.0	14.4				HE7508
		10.0	16.4				HE7510
		12.0	18.4				HE7512
Red	1.0	6.0	12.0	3.0	1.7	1.4	HE1006
		8.0	14.0				HE1008
		10.0	16.0				HE1010
		12.0	18.0				HE1012
Black	1.5	8.0	14.6	3.5	2.0	1.7	HE1508
		10.0	16.4				HE1510
		12.0	18.4				HE1512
		18.0	24.4				HE1518
Grey	2.5	8.0	15.2	4.0	2.6	2.3	HE2508
		10.0	17.2				HE2510
		12.0	19.2				HE2512
		18.0	25.2				HE2518
Orange	4.0	9.0	16.5	4.4	3.2	2.8	HE4009
		12.0	19.5				HE4012
		18.0	25.5				HE4018
Green	6.0	10.0	18.0	6.3	3.9	3.5	HE6010
		12.0	20.0				HE6012
		18.0	26.0				HE6018
Brown	10.0	12.0	21.5	7.6	4.9	4.5	HE10-12
		18.0	27.5				HE10-18
White	16.0	12.0	22.2	8.8	6.2	5.8	HE16-12
		18.0	28.2				HE16-18
Brown	25.0	16.0	29.0	11.2	7.9	7.5	HE25-16
		22.0	35.0				HE25-22
White	35.0	16.0	30.0	12.7	8.7	8.3	HE35-16
		25.0	39.0				HE35-25
Olive	50.0	20.0	36.0	15.3	10.9	10.3	HE50-20
		25.0	41.0				HE50-25

Note : All dimensions in mm

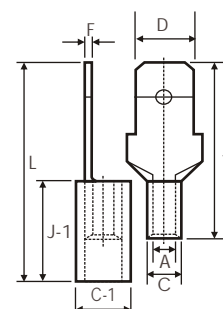
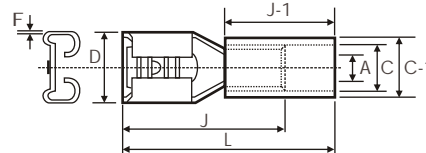
SNAP ON TERMINALS

MATERIAL : E - COPPER • FINISH : ELECTRO TINNED

COLOUR CODING OF INSULATION SLEEVE 1.5 - RED, 2.5 - BLUE, 4 - 6 - YELLOW

Cable mm ²	Dimensions								Product Code
	D	J	A	C	F	J-1	L	C-1	
1.5	6.6	16	2.4	3.2	0.4	-	-	-	HSP - 8351
1.5	6.6	16	2.4	3.2	0.4	10	21	4.8	HSP - 8351 (I)
2.5	6.6	16	3.1	3.9	0.4	-	-	-	HSP - 8349
2.5	6.6	16	3.1	3.9	0.4	10	21	5.5	HSP - 8349 (I)
4-6	6.6	19	3.8	5.5	0.8	-	-	-	HSP - 8451
4-6	6.6	19	3.8	5.5	0.8	14	26	7.1	HSP - 8451 (I)

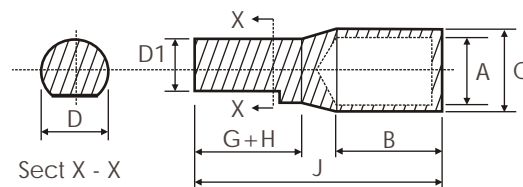
Cable mm ²	Dimensions								Product Code
	D	J	A	C	F	J-1	L	C-1	
1.5	6.4	20	1.6	3.2	0.8	-	-	-	HSP - 8362
1.5	6.4	20	1.6	3.2	0.8	10	23	4.8	HSP - 8362 (I)
2.5	6.4	20	2.3	3.9	0.8	-	-	-	HSP - 8363
2.5	6.4	20	2.3	3.9	0.8	10	23	5.5	HSP - 8363 (I)
4-6	6.4	20	3.8	5.5	0.8	-	-	-	HSP - 8463
4-6	6.4	20	3.8	5.5	0.8	14	25	7.1	HSP - 8463 (I)



COPPER REDUCER PIN TYPE TERMINAL ENDS

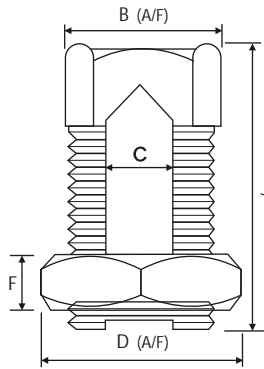
MATERIAL : E - COPPER • FINISH : ELECTRO TINNED

Cable mm ²	Dimensions							Product Code
	A	C	D	D1	B	G+H	J	
2.5	2.5	4.7	3.8	3.3	6	10	20	HPC - 7
4	2.8	4.7	3.8	3.3	6	10	20	HPC - 16
6	3.1	4.7	3.8	3.3	6	10	20	HPC - 18
10	3.8	5.5	3.8	3.3	9	10	23	HPC - 20
16	5.3	7.1	3.8	3.3	12	13	30	HPC - 2
25	7	9	6	5.5	12	15	32	HPC - 25
25	7	9	7.5	6.5	12	20	37	HPC - 3
35	8	10	7.5	6.5	12	20	37	HPC - 4
50	9.2	11.2	7.5	6.5	16	20	41	HPC - 26
70	11.5	13.8	7.5	6.5	18	20	43	HPC - 27
70	11.5	13.8	11.5	10.5	18	25	48	HPC - 6
70	11.5	13.8	11.5	10.5	18	32	55	HPC - 28
95	12.8	15.6	11.5	10.5	20	25	51	HPC - 29
95	12.8	15.6	7.5	6.5	20	22	48	HPC - 31
95	12.8	15.6	15.6	14	20	27	53	HPC - 8
120	14.8	17.8	11.5	10.5	22	25	53	HPC - 32
120	14.8	17.8	7.5	6.5	22	22	50	HPC - 34
120	14.8	17.8	11.5	10.5	22	32	60	HPC - 35
150	16	19.6	11.5	10.5	26	32	64	HPC - 37
185	18	22	11.5	10.5	32	32	70	HPC - 38
240	22	26	16	15	38	42	88	HPC - 44
300	24	28.7	16	15	42	42	92	HPC - 45
400	28	33.2	15.6	14	46	32	90	HPC - 48



LINE TAPS / SPLIT BOLTS

MATERIAL : BRASS • FINISH : COPPER / TINNED



'HEX' manufactures a vast range of line taps to meet the materials and dimensional specifications laid by different international standards. Brass line taps are made with high tensile brass as per BS 2874 - CZ 112. Threads are formed by rolling process giving the nut extra clamping force. Pressure pads are made from extruded bars (not cast), preventing the pads from cracking. Brass line taps are manufactured in passivated natural brass with electro tinned finish. They are also supplied in high conductivity copper.

PROD. CODE	Size	J	C	B a/f	D a/f	F
HSBC - 6	6	19.85	4.00	12.70	13.35	4.80
HSBC - 10	10	26.75	4.70	12.70	19.00	5.60
HSBC - 16	16	26.00	5.70	12.70	19.00	5.60
HSBC - 25	25	28.00	7.30	16.00	19.00	5.60
HSBC - 35	35	35.00	7.80	18.50	24.00	6.35
HSBC - 50	50	42.00	9.70	24.10	27.20	8.65
HSBC - 70	70	44.50	11.50	24.10	27.20	8.65
HSBC - 95	95	50.00	14.40	26.50	35.40	9.40
HSBC - 120	120	57.50	16.20	30.00	35.40	12.00
HSBC - 150	120	57.50	16.20	30.00	35.40	12.00
HSBC - 185	185	57.50	18.20	31.75	38.00	12.00
HSBC - 240	240	72.50	22.00	40.00	48.20	14.25
HSBC - 300	300	72.50	24.00	42.00	50.00	14.25
HSBC - 400	400	76.50	26.00	48.00	56.00	16.00
HSBC - 500	500	80.00	30.00	55.00	65.00	16.00



SPLIT BOLT CONNECTOR WITH ROUND HEAD

HEX has a complete range of split bolts that are used for joining aerial hard drawn copper conductors or insulated copper conductors. The split bolts are made from a high conductivity copper alloy with captive saddle which applies a distributed pressure to conductors. The head of the split bolt is suitable for standard spanner to fit in. They can be supplied in natural copper alloy or electro tinned.

Technical Data :

Conductive Material

Copper alloy

Operating Temperature

-55°C to 100°C

Electroplating Material

Tin 99.7% pure

Natural Brass	Electro Tinned	Max Cond. Size (mm ²)	Slot Width mm ²	Cross Reference
HSBC12	HSBC12T	25	6.6	-
HSBC22	HSBC22T	16	5.3	Type A
HSBC24	HSBC24T	35	8.3	Type B
HSBC25	HSBC25T	70	10.9	Type C
HSBC26	HSBC26T	95	12.9	Type D
HSBC28	HSBC28T	185	18.5	Type E

TINNED COPPER FLEXIBLE BRAIDS -

CRIMPED with CONNECTORS / TERMINALS

MATERIAL : E - COPPER • FINISH : ELECTRO TINNED

Cable mm ²	Dimensions in mm			Current Rating AMP	Product Code Crimped with lugs	Product Code Crimped with connector
	A	C	L			
4	50	6	6	50	HFT4 - 50 - 50	HFC4 - 50 - 50
	100	6	6	50	HFT4 - 100 - 50	HFC4 - 100 - 50
	150	6	6	50	HFT4 - 150 - 50	HFC4 - 150 - 50
	200	6	6	50	HFT4 - 200 - 50	HFC4 - 200 - 50
10	50	6	6	90	HFT10 - 50 - 90	HFC10 - 50 - 90
	100	6	6	90	HFT10 - 100 - 90	HFC10 - 100 - 90
	150	6	6	90	HFT10 - 150 - 90	HFC10 - 150 - 90
	200	6	6	90	HFT10 - 200 - 90	HFC10 - 200 - 90
16	100	8.5	8.5	125	HFT16 - 100 - 125	HFC16 - 100 - 125
	150	8.5	8.5	125	HFT16 - 150 - 125	HFC16 - 150 - 125
	200	8.5	8.5	125	HFT16 - 200 - 125	HFC16 - 200 - 125
	250	8.5	8.5	125	HFT16 - 250 - 125	HFC16 - 250 - 125
	300	8.5	8.5	125	HFT16 - 300 - 125	HFC16 - 300 - 125
25	100	10	10	160	HFT25 - 100 - 160	HFC25 - 100 - 160
	150	10	10	160	HFT25 - 150 - 160	HFC25 - 150 - 160
	200	10	10	160	HFT25 - 200 - 160	HFC25 - 200 - 160
	250	10	10	160	HFT25 - 250 - 160	HFC25 - 250 - 160
	300	10	10	160	HFT25 - 300 - 160	HFC25 - 300 - 160
30	100	10	10	180	HFT30 - 100 - 180	HFC30 - 100 - 180
	150	10	10	180	HFT30 - 150 - 180	HFC30 - 150 - 180
	200	10	10	180	HFT30 - 200 - 180	HFC30 - 200 - 180
	250	10	10	180	HFT30 - 250 - 180	HFC30 - 250 - 180
	300	10	10	180	HFT30 - 300 - 180	HFC30 - 300 - 180
35	100	10	10	210	HFT35 - 100 - 210	HFC35 - 100 - 210
	150	10	10	210	HFT35 - 150 - 210	HFC35 - 150 - 210
	200	10	10	210	HFT35 - 200 - 210	HFC35 - 200 - 210
	250	10	10	210	HFT35 - 250 - 210	HFC35 - 250 - 210
	300	10	10	210	HFT35 - 300 - 210	HFC35 - 300 - 210
50	100	12	12	250	HFT50 - 100 - 250	HFC50 - 100 - 250
	150	12	12	250	HFT50 - 150 - 250	HFC50 - 150 - 250
	200	12	12	250	HFT50 - 200 - 250	HFC50 - 200 - 250
	250	12	12	250	HFT50 - 250 - 250	HFC50 - 250 - 250
	300	12	12	250	HFT50 - 300 - 250	HFC50 - 300 - 250

Also available with other hole sizes, current rating, lengths etc. as per customer specifications.

INSULATED SCREW CONNECTORS

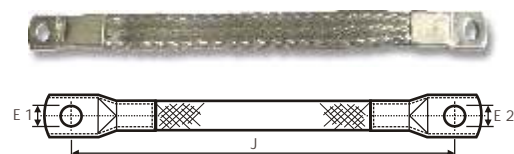
Body : PVC Connections : Brass Voltage : 240/415V Amperege : 32A

Insulated screw connectors accommodate a maximum of 2 x 6 mm² cables, and are made in one and two screw formats, the two screw being for the earth.

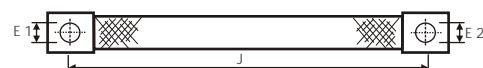
- They have a clear plastic housing so that the termination can be visually checked
- Nominal 32A rating, dependant on conductor loading
- Rated for normal 240/415V applications
- Connectors are supplied in handy screw top jars.

Supplied in handy screw top jars.

Catalogue No.	Description Conductor
HSCS1	Single Screw Connector 32A
HSCS2	Double Screw Connector 32A

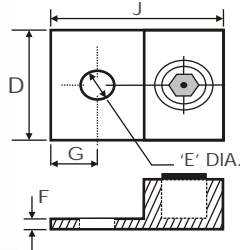


HFT- crimped with lugs



HFC- crimped with connectors



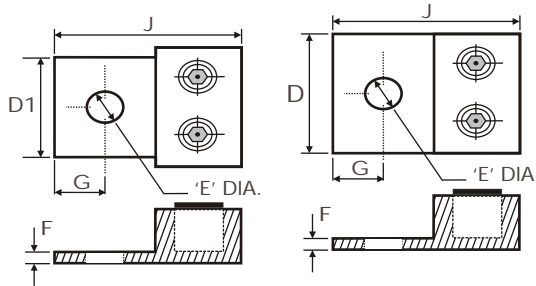


ALUMINIUM SINGLE BARREL CONNECTOR, ONE HOLE MOUNT

MATERIAL : ALUMINIUM • FINISH : ELECTRO TINNED

Cable mm ²	Stud Hole E	Dimensions					Product Code
		A	D	G	H	J	
4 STR	14 AWG	27.00 (1.10)	12.70 (0.50)	5.95 (0.23)	1/4	2.40 (0.09)	HLA - 4
2 STR	14 AWG	29.40 (1.15)	12.70 (0.50)	7.55 (0.29)	1/4	2.75 (0.10)	HLA - 2
1/0 STR	14 AWG	37.10 (1.46)	15.90 (0.62)	11.10 (0.43)	1/4	4.70 (0.18)	HLA - 10
2/0 STR	14 AWG	37.10 (1.46)	15.90 (0.62)	11.10 (0.43)	1/4	4.70 (0.18)	HLA - 20
250 KCMIL	6 STR	50.60 (2.00)	21.75 (0.85)	12.75 (0.50)	5/16	6.40 (0.25)	HLA - 250
300 KCMIL	6 STR	50.60 (2.00)	21.75 (0.85)	11.90 (0.46)	5/16	6.40 (0.25)	HLA - 300
350 KCMIL	6 STR	57.15 (2.25)	28.60 (1.12)	12.70 (0.50)	3/8	6.40 (0.25)	HLA - 350
500 KCMIL	4 STR	71.50 (2.81)	38.10 (1.50)	19.05 (0.75)	3/8	8.00 (0.31)	HLA - 500
600 KCMIL	2 STR	81.00 (3.19)	38.10 (1.50)	20.60 (0.81)	3/8	11.10 (0.43)	HLA - 600
800 KCMIL	300 KCMIL	85.70 (3.37)	44.50 (1.75)	22.20 (0.87)	5/8	12.70 (0.50)	HLA - 800
1000 KCMIL	500 KCMIL	85.70 (3.37)	44.50 (1.75)	22.20 (0.87)	5/8	12.70 (0.50)	HLA - 1000

ALUMINIUM DOUBLE BARREL CONNECTOR, ONE HOLE MOUNT



MATERIAL : ALUMINIUM • FINISH : ELECTRO TINNED

Cond. Ram. (Al. or Cu.)		Dimensions						Product Code
Max.	Min.	J	D	G	E	F	D1	
1/0 STR	14 AWG	37.10 (1.46)	30.95 (1.22)	11.10 (0.43)	1/4	4.70 (0.18)	-	HL2A - 10
2/0 STR	14 AWG	37.10 (1.46)	31.75 (1.25)	10.70 (0.42)	1/4	4.70 (0.18)	-	HL2A - 20
250 KCMIL	6STR	65.10 (2.56)	41.70 (1.64)	22.20 (0.87)	3/8	6.40 (0.25)	38.1(1.50)	HL2A - 250
350 KCMIL	6 STR	73.00 (2.87)	48.60 (1.91)	22.20 (0.87)	1/2	6.40 (0.25)	44.8 (1.76)	HL2A - 350
600 KCMIL	2 STR	81.00 (3.19)	61.10 (2.40)	15.90 (0.62)	1/2	11.10(0.43)	50.4 (1.98)	HL2A - 600
800 KCMIL	300 KCMIL	85.70 (3.37)	80.90 (3.18)	22.20 (0.87)	5/8	12.70(0.50)	50.4 (1.98)	HL2A - 800
1000 KCMIL	500 KCMIL	85.70 (3.37)	80.90 (3.18)	22.20 (0.87)	5/8	12.70(0.50)	-	HL2A - 1000

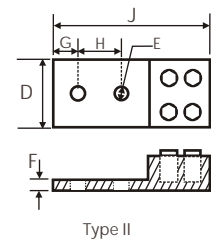
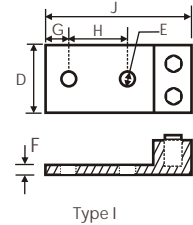


Other types and sizes of Aluminium Mechanical lugs like 2 Hole Palm - 2 Hole Screw, 3 Hole Palm - 2 Hole Screw, 3 Hole Palm - 3 Hole screw etc. can be made on demand and/or customers specifications.

ALUMINIUM DOUBLE BARREL CONNECTOR, TWO HOLE MOUNT

MATERIAL : ALUMINIUM • FINISH : ELECTRO TINNED

Conductor Range		Stud	Dimensions						Product
Max.	Min.	Hole	J	D	F	G	H	TYPE	Code
350 KCMIL	6 STR	1/2	104.65 (4.12)	48.51 (1.91)	7.87 (0.31)	15.75 (0.62)	44.45 (1.75)	I	HL2LA - 350
600 KCMIL	4 STR	1/2	141.73 (5.58)	60.96 (2.40)	11.17 (0.44)	15.75 (0.62)	44.45 (1.75)	II	HL2LA - 600
800 KCMIL	350 KCMIL	1/2	147.82 (5.82)	81.03 (3.19)	12.70 (0.50)	15.75 (0.62)	44.45 (1.75)	II	HL2LA - 800



COPPER ONE HOLE OFFSET TONGUE TERMINAL ENDS / CONNECTORS

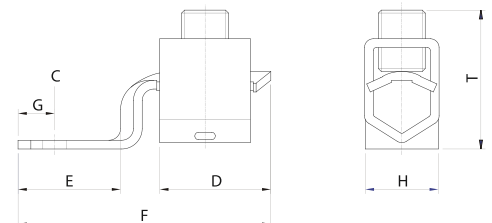


Steel Screws : Zinc Plated

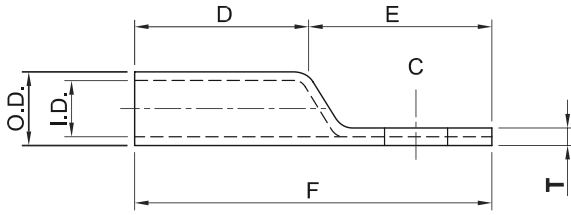
Copper Conductor Size Ran.	Screw Hex Size	Dimensions (mm)							Product Code
		F	E	D	G	K	H	T	
10-14	Slotted	26	12	7	5.3	6.5	7.95	9.5	HUL - 25
6-14 & List Comb. (A)	Slotted	31.5	15	11	5.6	11	9.5	12.3	HUL - 35
2-8 & List Comb. (B)	Slotted	39.5	20.5	12.7	6.35	14.2	12	16.3	HUL - 70
1 / 0-6	Slotted	50.5	26	15.5	10.75	19	15.85	23.3	HUL - 125
3 / 0-4	3/16"	56	30	18	11	20	19	26.5	HUL - 175
4 / 0-2	7/32"	65	33.8	24.5	13	26	25.2	29.75	HUL - 225
350 MCM									
1 AWG	8 mm	72	34	31	13.10	26.2	25.2	35.7	HUL - 300
*500 MCM									
- 1/0	8 mm	104	56.5	36	23	35.5	38	41	HUL - 400
*1000 MCM									
-600 MCM	3/8"	123	62	57	28.5	42	50	59	HUL - 650

* U.L. under process

- (A) - U.L. Listed wire combinations: (2) #10, (2) # 12, (2) # 14, (1) # 12 and (1) # 14, (1) # 10 and (1) # 12
 (B) - U.L. Listed wire combinations: (1) # 8 and (1) # 4, (1) # 8 and (1) # 6 (2) # 4, (3) # 8, (3) # 6, (2) # 8 and (1) # 4, (2) # 8 and (1) # 6, (1) # 6 and (1) # 4, (2) # 6



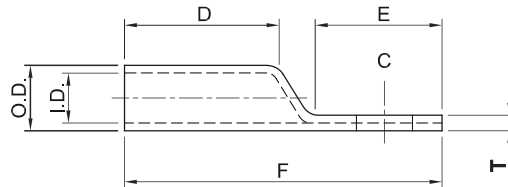
COPPER COMPRESSION LUGS - SHORT BARREL



WIRE SIZE	BOLT SIZE	TANG WIDTH	Dimensions					O.D INCH.	I.D INCH.	Product Code
			C Ø	D	E	F	T			
8	#10	0.406	0.203	0.437	0.5	1.125	0.093	0.281	0.171	HCRA-8
6	#10	0.406	0.203	0.812	0.5	1.500	0.093	0.296	0.203	HCRA-6
6	1/4	0.406	0.281	0.812	0.5	1.500	0.093	0.296	0.203	HCRA-6
4	#10	0.500	0.203	0.812	0.5	1.500	0.093	0.343	0.250	HCRA-4
4	5/16	0.500	0.328	0.812	0.5	1.500	0.093	0.343	0.250	HCRA-4-516
4	1/4	0.500	0.281	0.812	0.5	1.500	0.093	0.343	0.250	HCRA-4
3	1/4	0.531	0.281	0.812	0.5	1.500	0.093	0.375	0.281	HCRA-3
2	1/4	0.593	0.281	0.875	0.75	1.812	0.109	0.421	0.312	HCRA-2
2	5/16	0.593	0.343	0.875	0.75	1.8437	0.109	0.421	0.312	HCRA-2
2	3/8	0.593	0.406	1.093	0.75	2.0312	0.109	0.421	0.312	HCRA-2
1	5/16	0.687	0.343	0.875	0.75	1.875	0.109	0.468	0.359	HCRA-1
1	1/4	0.687	0.281	0.875	0.75	1.875	0.109	0.468	0.359	HCRA-1-14
1	3/8	0.687	0.406	0.875	0.75	1.875	0.109	0.468	0.359	HCRA-1-38
1/0	5/16	0.750	0.343	0.875	0.75	1.875	0.125	0.515	0.390	HCRA-0
1/0	1/4	0.750	0.281	0.875	0.75	1.875	0.125	0.515	0.390	HCRA-0-14
1/0	3/8	0.750	0.406	0.875	0.75	1.875	0.125	0.515	0.390	HCRA-0
2/0	3/8	0.812	0.406	0.937	0.875	2.093	0.125	0.562	0.437	HCRA-2/0
2/0	1/4	0.812	0.281	0.937	0.875	2.093	0.125	0.562	0.437	HCRA-2/0-14
2/0	5/16	0.812	0.343	1.218	0.875	2.093	0.125	0.562	0.437	HCRA-2/0`
3/0	3/8	0.906	0.40625	1	1	2.3125	0.125	0.6093	0.4843	HCRA-3/0
3/0	1/4	0.906	0.28125	1	1	2.3125	0.125	0.6093	0.4843	HCRA-3/0-14
3/0	1/2	0.906	0.53125	1	1	2.3125	0.125	0.6093	0.4843	HCRA-3/0
3/0	5/16	0.906	0.34375	1.3125	0.6875	2.3125	0.125	0.6093	0.4843	HCRA-3/0
4/0	3/8	1	13.32	1	1	2.34375	0.14062	0.6875	0.5468	HCRA-4/0
4/0	1/4	1	9.32	1	1	2.34375	0.14062	0.6875	0.5468	HCRA-4/0-14
4/0	1/2	1	0.53125	1	1	2.34375	0.14062	0.6875	0.5468	HCRA-4/0
4/0	5/16	0.906	0.34375	1.34375	0.6875	2.3125	0.125	0.6875	0.5468	HCRA-4/0
250MCM	1/2	1.093	0.53125	1.0625	1.125	2.625	0.1562	0.75	0.5625	HCRA-250
250MCM	3/8	1.093	0.53125	1.0625	1.125	2.625	0.1562	0.75	0.5625	HCRA-250-38
300MCM	1/2	1.187	0.53125	1.0625	1.125	2.625	0.1562	0.8125	0.65625	HCRA-300
300MCM	3/8	1.187	0.53125	1.0625	1.125	2.625	0.1562	0.8125	0.65625	HCRA-300-38
300MCM	5/16	1.187	0.53125	1.0625	1.125	2.625	0.1562	0.8125	0.65625	HCRA-300-516
300MCM	5/8	1.187	0.53125	1.0625	1.125	2.625	0.1562	0.8125	0.65625	HCRA-300-58
350MCM	1/2	1.281	0.53125	1.125	1.125	2.6875	0.1875	0.875	0.6875	HCRA-350
400MCM	5/8	1.375	0.6875	1.1875	1.5	3.3125	0.1875	0.9375	0.75	HCRA-400
400MCM	1/2	1.375	0.6875	1.1875	1.5	3.3125	0.1875	0.9375	0.75	HCRA-400-12
500MCM	5/8	1.531	0.6875	1.375	1.5	3.5	0.25	1.0625	0.828	HCRA-500
500MCM	1/2	1.53125	0.5625	1.375	1.5	3.5	0.25	1.0625	0.828	HCRA-500-12
600MCM	5/8	1.6875	0.6875	1.5	1.5	3.625	0.25	1.1875	0.921	HCRA-600
600MCM	1/2	1.6875	0.6875	1.5	1.5	3.625	0.25	1.1875	0.921	HCRA-600-12
*700MCM	5/8	1.78125	0.65625	1.375	1.75	3.9687	0.2656	1.25	0.9843	*HCRA-700
*750MCM	5/8	1.90625	0.65625	1.625	1.9375	4.3437	0.2656	1.3125	1.0312	*HCRA-750
*1000MCM	5/8	2.1875	0.65625	1.875	2.125	4.875	0.3281	1.5	1.172	*HCRA-1000

*Wire Size 700MCM, 750MCM & 1000MCM UL under process

COPPER COMPRESSION LUGS - LONG BARREL



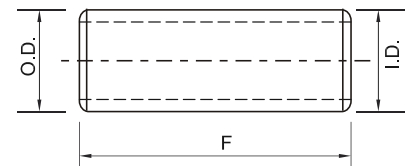
WIRE SIZE	BOLT SIZE	TANG WIDTH	Dimensions					O.D. INCH.	I.D. INCH.	Product Code
			C	D	E	F	T			
8	-	0.40625	0.25	0.81	0.59	1.52	0.40625	0.2812	0.1718	HCRB-8L
6	0.25	0.40625	0.28125	1.125	0.5	1.8125	0.40625	0.2968	0.2031	HCRB-6L
4	0.25	0.5	0.28125	1.125	0.5	1.8125	0.5	0.34375	0.25	HCRB-4L
4	0.3125	0.5	0.34375	1.125	0.5	1.8125	0.5	0.34375	0.25	HCRB-4L-516
3	0.25	0.53125	0.28125	1.125	0.5	1.8125	0.53125	0.375	0.2812	HCRA-3L
2	0.3125	0.59375	0.34375	1.25	0.75	2.2188	0.59375	0.4218	0.3125	HCRB-2L
2	0.25	0.59375	0.28125	1.25	0.75	2.2188	0.59375	0.4218	0.3125	HCRB-2L-14
2	0.375	0.59375	0.40625	1.25	0.75	2.2188	0.59375	0.4218	0.3125	HCRB-2L-38
1	0.3125	0.6875	0.34375	1.375	0.75	2.375	0.6875	0.46875	0.3593	HCRA-1L
1/0	0.3125	0.75	0.34375	1.375	0.75	2.375	0.75	0.5156	0.5983	HCRA-1/0L
2/0	0.375	0.8125	0.40625	1.50	0.875	2.656	0.8125	0.5625	0.4375	HCRA-2/0L
3/0	0.5	0.90625	0.53125	1.50	1	2.90625	0.90625	0.6093	0.4843	HCRB-3/0L
4/0	0.5	1	0.53125	1.625	1	2.96875	1	0.6875	0.53125	HCRB-4/0L
250MCM	0.5	1.09375	0.53125	1.625	1.125	3.1875	1.09375	0.75	0.5625	HCRA-250L
300MCM	0.5	1.1875	0.53125	2	1.125	3.5625	1.1875	0.8125	0.65625	HCRA-300L
350MCM	0.5	1.28125	0.53125	2	1.125	3.5625	1.28125	0.875	0.6875	HCRA-350L
400MCM	0.625	1.375	0.6875	2.125	1.5	4.25	1.375	15/16	0.75	HCRA-400L
500MCM	0.625	1.53125	0.6875	2.25	1.5	4.375	1.53125	1.0625	0.82812	HCRA-500L
600MCM	0.625	1.6875	0.6875	2.25	1.5	4.46875	1.6875	1.1875	0.9218	HCRA-600L
*750MCM	0.625	1.90625	0.65625	2.875	1.9375	5.46875	1.90625	1.3125	1.0312	*HCRA-750L
*1000MCM	0.625	2.1875	0.65625	3	2.125	6	2.1875	1.50	1.1718	*HCRA-1000L

*Wire Size 750MCM & 1000MCM UL under process

COPPER COMPRESSION SLEEVES - SHORT BARREL



WIRE SIZE	F	O.D. INCH.	I.D. INCH.	Product Code
8	1.125	0.281	0.172	HCT-8
6	1.75	0.297	0.203	HCT-6
4	1.875	0.344	0.25	HCT-4
3	1.75	0.375	0.281	HCT-3
2	1.875	0.422	0.313	HCT-2
1	1.875	0.469	0.359	HCT-1
1/0	1.875	0.516	0.391	HCT-1/0
2/0	2	0.563	0.428	HCT-2/0
3/0	2.125	0.609	0.484	HCT-3/0
4/0	2.125	0.688	0.547	HCT-4/0
300MCM	2.25	0.813	0.656	HCT-300
350MCM	2.375	0.875	0.688	HCT-350
400MCM	2.5	0.938	0.75	HCT-400
500MCM	2.875	1.063	0.828	HCT-500
600MCM	2.875	1.188	0.922	HCT-600

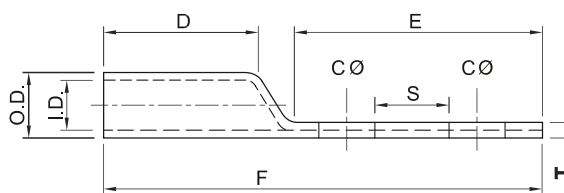


COPPER COMPRESSION SLEEVES - LONG BARREL



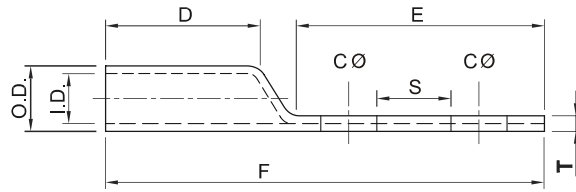
WIRE SIZE	F	O.D INCH.	I.D INCH.	Product Code
8	1.75	0.281	0.172	HCTL-8
6	2.38	0.297	0.203	HCTL-6
4	2.38	0.344	0.25	HCTL-4
3	2.38	0.375	0.281	HCTL-3
2	2.63	0.422	0.312	HCTL-2
1	2.88	0.469	0.359	HCTL-1
1/0	2.88	0.516	0.391	HCTL-1/0
2/0	3.13	0.562	0.438	HCTL-2/0
3/0	3.13	0.609	0.484	HCTL-3/0
4/0	3.38	0.687	0.547	HCTL-4/0
300MCM	4.13	0.813	0.656	HCTL-300
400MCM	4.38	0.937	0.75	HCTL-400
500MCM	4.63	1.063	0.828	HCTL-500
600MCM	4.63	1.188	0.922	HCTL-600

COPPER COMPRESSION LUGS - LONG BARREL, 2 HOLES



WIRE SIZE	BOLT SIZE	Dimensions					O.D INCH.	I.D INCH.	Product Code
		C Ø - S	D	E	F	T			
2	5/16(2)	0.34-0.75	1.25	1.5	3	0.594	0.422	0.313	HCRB-2L2
2	1/2(2)	0.53-1-0.75	1.25	3.125	4.81	0.594	0.422	0.313	HCRC-2L2
2	#10(2)	0.23-0.75	1.25	1.8125	3.31	0.594	0.422	0.313	HCRA-2L2-10-34
2	1/4(2)	0.28-0.63	1.25	1.8125	3.31	0.594	0.422	0.313	HCRA--2L2-14-58
2	1/4(2)	0.28-0.75	1.25	1.8125	3.31	0.594	0.422	0.313	HCRA-2L2-14-34
2	1/4(2)	0.28-1	1.25	1.8125	3.31	0.594	0.422	0.313	HCRA-2L2-14-1
2	5/16(2)	0.34-0.63	1.25	1.8125	3.31	0.594	0.422	0.313	HCRA-2L2-516-58
2	5/16(2)	0.34-0.75	1.25	1.8125	3.31	0.594	0.422	0.313	HCRB-2L2-516-34
2	5/16(2)	0.34-1	1.25	1.8125	3.31	0.594	0.422	0.313	HCRA-2L2-516-1
2	3/8(2)	0.41-0.63	1.25	1.8125	3.31	0.594	0.422	0.313	HCRA-2L2-38-58
2	3/8(2)	0.41-0.75	1.25	1.8125	3.31	0.594	0.422	0.313	HCRA-2L2-38-34
2	3/8(2)	0.41-0.88	1.25	1.8125	3.31	0.594	0.422	0.313	HCRA-2L2-28-78
2	3/8(2)	0.41-1	1.25	1.8125	3.31	0.594	0.422	0.313	HCRA-2L2-38-1
2	4-1/2	0.56-1-0.75	1.25	3	4.5	0.8125	0.422	0.313	HCRB-2L2-12-134
1	3-7/16	0.34-0.88	1.38	1.6875	3.44	0.687	0.46	0.359	HCRA-1L2
1	3-7/16	0.28-0.63	1.38	1.6875	3.44	0.687	0.46	0.359	HCRA-1L2-14-58
1	4-3/4	0.56-1-0.75	1.38	3	4.75	0.687	0.46	0.359	HCRC-1L2
1/0	5/16(2)	0.34-0.88	1.38	1.6875	3.44	0.75	0.516	0.391	HCRA-1/0L2
1/0	1/2(2)	0.56-1-0.75	1.38	3	4.91	0.75	0.516	0.391	HCRC-1/0L2
8	5/16(2)	10-0.625	0.81	1.26	2.19	0.42	0.28125	0.1718	HCRA-8L2
8	1/2(2)	0.25-0.625	0.81	1.26	2.19	0.42	0.28125	0.1718	HCRB-8L2

COPPER COMPRESSION LUGS - LONG BARREL, 2 HOLES



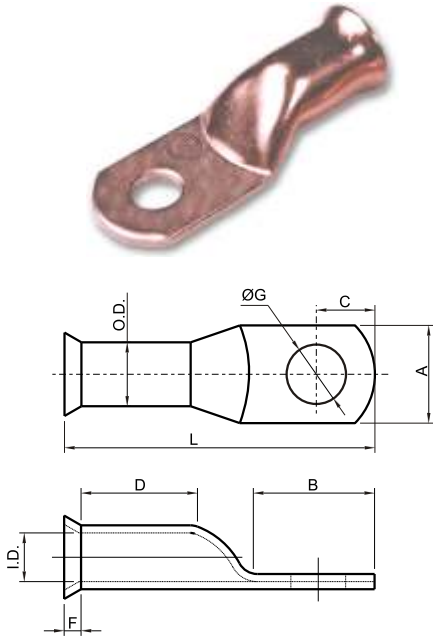
WIRE SIZE	BOLT SIZE	Dimensions					O.D. INCH.	I.D. INCH.	Product Code
		C	D	E	F	T			
6	1/4(2)	0.281-0.625	1.125	1.5	2.8125	0.40625	0.297	0.2031	HCRB-6L2
6	#10(2)	0.234-0.75	1.125	1.8125	3.1875	0.40625	0.297	0.2031	HCRA-6L2-10-34
6	1/4(2)	0.281-0.625	1.125	1.8125	3.1875	0.40625	0.297	0.2031	HCRB-6L2-14-58
6	1/4(2)	0.281-0.625	1.125	1.8125	3.1875	0.40625	0.297	0.2031	HCRA-6L2-14-34
6	1/4(2)	0.281-1	1.125	1.8125	3.1875	0.40625	0.297	0.2031	HCRA-6L2-14-1
6	5/16(2)	0.344-1	1.125	1.8125	3.1875	0.59375	0.297	0.2031	HCRB-6L2-516-1
6	3/8(2)	0.406-0.75	1.125	1.8125	3.1875	0.59375	0.297	0.2031	HCRB-6L2-38-34
6	3/8(2)	0.406-0.875	1.125	1.8125	3.1875	0.59375	0.297	0.2031	HCRB-6L2-38-78
6	3/8(2)	0.406-1	1.125	1.8125	3.1875	0.59375	0.297	0.2031	HCRB-6L2-38-1
4	1/4(2)	0.281-0.625	1.125	1.5	2.8125	0.5	0.344	0.25	HCRB-4L2
4	1/2(2)	0.563-1-0.75	1.125	3.125	4.875	0.8125	0.344	0.25	HCRC-4L2
4	#10(2)	0.234-0.75	1.125	1.8125	3.1875	0.5	0.344	0.25	HCRA-4L2-10-34
4	1/4(2)	0.281-0.625	1.125	1.8125	3.1875	0.5	0.344	0.25	HCRB-4L2-14-58
4	1/4(2)	0.281-0.75	1.125	1.8125	3.1875	0.5	0.344	0.25	HCRA4L2-14-34
4	1/4(2)	0.281-1	1.125	1.8125	3.1875	0.5	0.344	0.25	HCRA-4L2-14-1
4	5/16(2)	0.344-0.625	1.125	1.8125	3.1875	0.5	0.344	0.25	HCRA-4L2-516-58
4	5/16(2)	0.344-0.75	1.125	1.8125	3.1875	0.5	0.344	0.25	HCRA-4L2-516-34
4	5/16(2)	0.344-1	1.125	1.8125	3.1875	0.5	0.344	0.25	HCRA-4L2-516-1
4	3/8(2)	0.406-0.75	1.125	1.8125	3.1875	0.8125	0.344	0.25	HCRB-4L2-38-34
4	3/8(2)	0.406-1	1.125	1.8125	3.1875	0.8125	0.344	0.25	HCRB-4L2-38-1
4	1/2(2)	0.562-1-0.75	1.125	3	4.375	0.8125	0.344	0.25	HCRB-4L2-12-134
3	1/4(2)	0.281-0.625	1.125	1.5	2.8125	0.53125	0.375	0.2812	HCRA-3L2
3	3/8(2)	0.406-0.6	1.125	1.5	2.8125	0.53125	0.375	0.2812	HCRA-3L2
2/0	1/2(2)	0.56-1-0.75	1.5	3	4.78	0.8125	0.562	0.438	HCRA-2/0L2
3/0	1/2(2)	0.56-1-0.75	1.5	3	4.97	0.9062	0.609	0.484	HCRB-3/0L2
4/0	1/2(2)	0.56-1-0.75	1.63	3	4.97	1	0.688	0.547	HCRB-4/0L2
250MCM	1/2(2)	0.56-1-0.75	1.63	3	5.06	1.0937	0.75	0.563	HCRA-250L2
250MCM	3/8(2)	0.56-1	1.63	3	5.06	1.0937	0.75	0.563	HCRA-250L2-38-1
250MCM	3/8(2)	0.56-1-0.75	1.63	3	5.06	1.0937	0.75	0.563	HCRA-250L2-38-134
300MCM	1/2(2)	0.56-1-0.75	2	3	5.44	1.1875	0.813	0.656	HCRA-300L2
350MCM	1/2(2)	0.56-1-0.75	2	3	5.44	1.2812	0.875	0.688	HCRA-350L2
400MCM	1/2(2)	0.56-1-0.75	2.13	3	5.75	1.375	0.938	0.75	HCRA-400L2
500MCM	1/2(2)	0.56-1-0.75	2.25	3	5.75	1.531	1.063	0.828	HCRA-500L2
600MCM	1/2(2)	0.56-1-0.75	2.25	3	6.06	1.688	1.188	0.922	HCRA-600L2
*700MCM	1/2(2)	0.56-1-0.75	2.25	3	6.06	1.781	1.25	0.984	HCRA-700L2
*750MCM	1/2(2)	0.56-1-0.75	2.88	3	6.53	1.906	1.313	1.031	*HCRA-750L2
*1000MCM	1/2(2)	0.56-1-0.75	3	3	6.88	2.188	1.5	1.172	*HCRA-1000L2

*Wire Size 700MCM, 750MCM & 1000MCM UL under process

COPPER STANDARD WALL STARTER TERMINAL ENDS



MATERIAL : E-COPPER • FINISH : COPPER

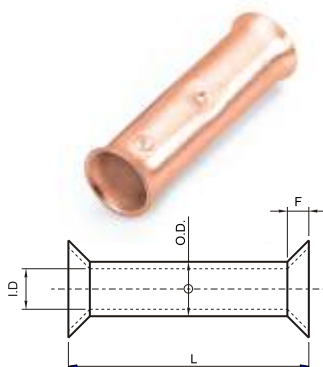


Amp Rating	Wire Size	Bolt Size	Dimensions										Product Code
			I.D.	O.D.	L	A	B	C	D	E	F	G	
35	8	1/4	4.72	6.35	32.00	11.58	17.15	8.64	13.97	1.78	2.54	6.40	HBCT - 86
	8	5/16	4.72	6.35	32.00	11.58	17.15	8.64	13.97	1.78	2.54	8.41	HBCT - 88
	8	3/8	4.72	6.35	35.18	14.48	17.15	8.64	13.97	1.78	2.54	10.49	HBCT - 810
	8	1/2	4.72	6.35	42.55	16.26	20.62	9.78	13.97	1.78	2.54	13.00	HBCT - 812
50	6	1/4	5.89	7.92	32.64	13.72	17.78	7.62	13.97	1.78	2.54	6.40	HBCT - 66
	6	5/16	5.89	7.92	32.64	13.72	17.78	7.62	13.97	1.78	2.54	8.41	HBCT - 68
	6	3/8	5.89	7.92	32.64	13.72	17.78	7.62	13.97	1.78	2.54	10.49	HBCT - 610
	6	1/2	5.89	7.92	42.55	16.26	20.82	9.78	13.97	1.78	2.54	13.00	HBCT - 612
70	4	1/4	7.14	9.04	40.64	13.72	20.32	7.37	14.73	1.83	2.54	6.40	HBCT - 46
	4	5/16	7.14	9.04	40.64	13.72	20.32	7.37	14.73	1.83	2.54	8.41	HBCT - 48
	4	3/8	7.14	9.04	40.64	14.48	20.32	9.78	14.73	1.83	2.54	10.49	HBCT - 410
	4	1/2	7.14	9.04	40.64	14.48	20.32	9.78	14.73	1.83	2.54	13.00	HBCT - 412
90	2	1/4	8.43	10.67	43.94	16.51	19.61	8.43	17.02	1.83	2.54	6.40	HBCT - 26
	2	5/16	8.43	10.67	43.94	16.51	19.61	8.43	17.02	1.83	2.54	8.41	HBCT - 28
	2	3/8	8.43	10.67	43.94	16.51	19.61	8.43	17.02	1.83	2.54	10.49	HBCT - 210
	2	1/2	8.43	10.67	43.94	16.51	19.61	8.43	17.02	1.83	2.54	13.00	HBCT - 212
125	1/0	1/4	10.19	12.65	48.56	18.59	21.34	10.16	19.30	2.24	2.54	6.40	HBCT - 106
	1/0	5/16	10.19	12.65	48.56	18.59	21.34	10.16	19.30	2.24	2.54	8.41	HBCT - 108
	1/0	3/8	10.19	12.65	48.56	18.59	21.34	10.16	19.30	2.24	2.54	10.49	HBCT - 1010
	1/0	1/2	10.19	12.65	48.56	18.59	21.34	10.16	19.30	2.24	2.54	13.00	HBCT - 1012
150	2/0	1/4	11.58	14.22	55.88	20.83	24.38	11.05	21.59	2.54	2.54	6.40	HBCT - 206
	2/0	5/16	11.58	14.22	55.88	20.83	24.38	11.05	21.59	2.54	2.54	8.41	HBCT - 208
	2/0	3/8	11.58	14.22	55.88	20.83	24.38	11.05	21.59	2.54	2.54	10.49	HBCT - 2010
	2/0	1/2	11.58	14.22	55.88	20.83	24.38	11.05	21.59	2.54	2.54	13.00	HBCT - 2012
175	3/0	3/8	12.93	15.62	57.15	22.95	25.04	12.52	21.45	2.67	2.54	6.40	HBCT - 3010
	3/0	1/2	12.93	15.62	57.15	22.95	25.04	12.52	21.45	2.67	2.54	13.00	HBCT - 3012
225	4/0	3/8	14.94	17.63	65.29	26.31	28.40	13.34	23.11	2.79	2.54	10.49	HBCT - 4010
	4/0	1/2	14.94	17.63	65.29	26.31	28.40	13.34	23.11	2.79	2.54	13.00	HBCT - 4012

BUTT CONNECTOR



MATERIAL : E-COPPER • FINISH : COPPER



Wire Size	Dimensions				Product Code
	I.D.	O.D.	L	F	
8	4.72	6.35	27.94	2.54	98333 T
6	5.89	7.92	29.21	2.54	98334 T
4	7.14	9.04	30.99	2.54	98335 T
2	8.43	10.67	34.04	2.54	98336 T
1	8.94	11.18	34.04	2.54	98337 T
1/0	10.19	12.65	39.62	2.54	98338 T
2/0	11.58	14.22	45.97	2.54	98339 T
3/0	12.93	15.62	48.26	2.54	98340 T
4/0	14.94	17.63	62.48	2.54	98341 T

RING TYPE TINNED COPPER CABLE TERMINAL ENDS (NON INSULATED)

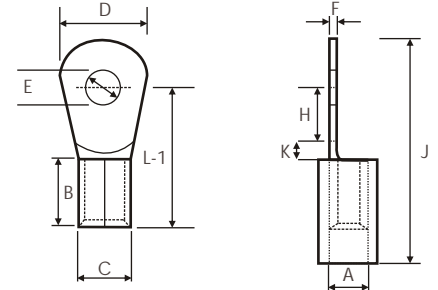


MATERIAL : E - COPPER • FINISH : ELECTRO TINNED

Specification : E. C. Grade 99.9% ISCS



Cable mm ²	Stud Hole E	Dimensions									Product Code
		A	C	D	F	B	K	H	L-1	J	
1.5	3.2	1.6	3.2	6.8	0.8	5	1.0	3.6	9.6	13	HR - 7153
	3.7	1.6	3.2	6.8	0.8	5	1.0	3.6	9.6	13	HR - 7048
	4.2	1.6	3.2	6.8	0.8	5	1.0	3.6	9.6	13	HR - 7049
	2.2	1.6	3.2	6	0.8	5	2.0	4.0	11	14	HR - 7103
	2.6	1.6	3.2	6	0.8	5	2.0	4.0	11	14	HR - 7000
	3.2	1.6	3.2	6	0.8	5	2.0	4.0	11	14	HR - 7001
	3.7	1.6	3.2	6	0.8	5	2.0	4.0	11	14	HR - 7002
	4.2	1.6	3.2	6	0.8	5	2.0	4.0	11	14	HR - 7003
	4.2	1.6	3.2	7	0.8	5	1.0	5.0	11	14.5	HR - 7154
	3.2	1.6	3.2	8	0.8	5	2.0	5.0	12	16	HR - 7104
	4.2	1.6	3.2	8	0.8	5	2.0	5.0	12	16	HR - 7004
	5.2	1.6	3.2	8	0.8	5	2.0	5.0	12	16	HR - 7005
	4.2	1.6	3.1	10	0.8	5	2.0	6.0	13	18	HR - 7105
	5.2	1.6	3.2	10	0.8	5	2.0	6.0	13	18	HR - 7006
6.4	1.6	3.2	10	0.8	5	2.0	6.0	13	18	HR - 7007	
6.4	1.6	3.2	12	0.8	5	1.0	6.0	12	18	HR - 7106	
2.5	3.2	2.3	3.9	6.5	0.8	5	1.0	3.5	9.5	12.7	HR - 7107
	3.7	2.3	3.9	6.5	0.8	5	1.0	3.5	9.5	12.7	HR - 7008
	3.7	2.3	3.9	8	0.8	5	2.0	5.0	12	16	HR - 7108
	4.2	2.3	3.9	8	0.8	5	2.0	5.0	12	16	HR - 7009
	5.2	2.3	3.9	8	0.8	5	2.0	5.0	12	16	HR - 7010
	5.2	2.3	3.9	10	0.8	5	1.0	7.0	13	18	HR - 7109
	6.4	2.3	3.9	10	0.8	5	1.0	7.0	13	18	HR - 7011
	5.2	2.3	3.9	12	0.8	5	2.0	9.0	16	22	HR - 7110
	6.4	2.3	3.9	12	0.8	5	2.0	9.0	16	22	HR - 7012
	8.2	2.3	3.9	12	0.8	5	2.0	9.0	16	22	HR - 7013
	6.4	2.3	3.9	16	0.8	5	2.0	10.0	17	25	HR - 7111
	8.2	2.3	3.9	16	0.8	5	2.0	10.0	17	25	HR - 7014
	10.2	2.3	3.9	16	0.8	5	2.0	10.0	17	25	HR - 7015
	10.2	2.3	3.9	18	0.8	5	1.0	14.0	20	29	HR - 7151
12.7	2.3	3.9	18	0.8	5	1.0	14.0	20	29	HR - 7047	
4 - 6	4.2	3.5	5.5	8	1.0	6	2.0	5.0	13	17	HR - 7155
	5.2	3.5	5.5	8	1.0	6	2.0	5.0	13	17	HR - 7050
	4.2	3.5	5.5	10	1.0	6	3.0	5.0	14	19	HR - 7112
	5.2	3.5	5.5	10	1.0	6	3.0	5.0	14	19	HR - 7016
	5.2	3.5	5.5	12	1.0	6	2.0	6.0	14	20	HR - 7113
	6.4	3.5	5.5	12	1.0	6	2.0	6.0	14	20	HR - 7017
	8.2	3.5	5.5	12	1.0	6	2.0	6.0	14	20	HR - 7018
	5.2	3.5	5.5	12	1.0	6	3.0	7.0	16	22	HR - 7114
	6.4	3.5	5.5	12	1.0	6	3.0	7.0	16	22	HR - 7019
	5.2	3.5	5.5	8	1.0	6	3.0	9.8	18.8	22.8	HR - 7157
	6.4	3.5	5.5	14	1.0	6	2.0	10.5	18.5	25.5	HR - 7115
	8.2	3.5	5.5	14	1.0	6	2.0	10.5	18.5	25.5	HR - 7020
	9.7	3.5	5.5	14	1.0	6	2.0	10.5	18.5	25.5	HR - 7021
	8.2	3.5	5.5	16	1.0	6	3.0	13.0	22	30.0	HR - 7116
10.2	3.5	5.5	16	1.0	6	3.0	13.0	22	30.0	HR - 7022	
8.2	3.5	5.5	18	1.0	6	3.0	12.0	21	30.0	HR - 7117	
10.2	3.5	5.5	18	1.0	6	3.0	12.0	21	30.0	HR - 7023	
12.7	3.5	5.5	18	1.0	6	3.0	12.0	21	30.0	HR - 7024	
10	4.2	4.3	6.3	10	1.0	8	2.0	7.0	17	22	HR - 7118
	5.2	4.3	6.3	10	1.0	8	2.0	7.0	17	22	HR - 7025
	4.2	4.3	6.3	10	1.0	8	3.0	4.0	15	20	HR - 7119

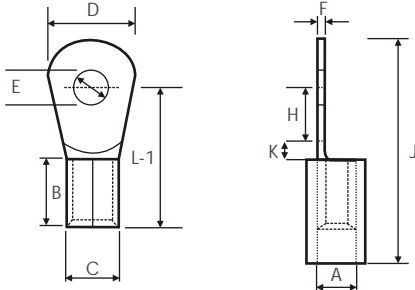


RING TYPE TINNED COPPER CABLE TERMINAL ENDS (NON INSULATED)



MATERIAL : E - COPPER • FINISH : ELECTRO TINNED

Specification : E. C. Grade 99.9% ISCS



Cable mm ²	Stud Hole E	Dimensions									Product Code
		A	C	D	F	B	K	H	L-1	J	
10	5.2	4.3	6.3	10	1.0	8	3.0	4.0	15	20	HR - 7026
	6.4	4.3	6.3	12	1.0	8	2.0	7.0	17	23	HR - 7120
	8.2	4.3	6.3	16	1.0	8	4.0	7.0	19	27	HR - 7121
	8.2	4.3	6.3	18	1.0	8	4.0	9.0	21	30	HR - 7122
	10.2	4.3	6.3	18	1.0	8	4.0	9.0	21	30	HR - 7027
	10.2	4.3	6.3	22	1.0	8	5.0	10.0	23	34	HR - 7123
	12.7	4.3	6.3	22	1.0	8	5.0	10.0	23	34	HR - 7028
	16	5.2	5.6	8	10	1.2	10	3.0	6.0	19	24
	5.2	5.6	8	12	1.2	10	4.0	6.0	20	26	HR - 7125
	6.4	5.6	8	12	1.2	10	4.0	6.0	20	26	HR - 7029
	6.4	5.6	8	16	1.2	10	4.0	8.0	22	30	HR - 7126
	8.2	5.6	8	16	1.2	10	4.0	8.0	22	30	HR - 7030
	9.7	5.6	8	16	1.2	10	4.0	8.0	22	30	HR - 7031
	8.2	5.6	8	18	1.2	10	4.0	10.0	24	33	HR - 7127
	10.2	5.6	8	18	1.2	10	4.0	10.0	24	33	HR - 7032
	10.2	5.6	8	22	1.2	10	6.0	8.0	24	35	HR - 7128
	12.7	5.6	8	22	1.2	10	6.0	8.0	24	35	HR - 7033
25	6.4	7.5	11.1	12	1.8	11	4.0	10.0	25	31	HR - 7156
	8.2	7.5	11.1	12	1.8	11	4.0	10.0	25	31	HR - 7051
	6.4	7.5	11.1	16	1.8	11	5.0	6.0	22	30	HR - 7129
	8.2	7.5	11.1	16	1.8	11	5.0	6.0	22	30	HR - 7034
	10.2	7.5	11.1	16	1.8	11	5.0	6.0	22	30	HR - 7035
	6.4	7.5	11.1	16	1.8	11	4.0	10.0	25	33	HR - 7130
	8.2	7.5	11.1	16	1.8	11	4.0	10.0	25	33	HR - 7036
	10.2	7.5	11.1	18	1.8	11	5.0	9.0	25	34	HR - 7131
	10.2	7.5	11.1	22	1.8	11	6.0	14.0	31	42	HR - 7132
	12.7	7.5	11.1	22	1.8	11	6.0	14.0	31	42	HR - 7037
35	6.4	9	12.6	16	1.8	12	5.0	6.0	23	31	HR - 7133
	8.2	9	12.6	16	1.8	12	5.0	6.0	23	31	HR - 7038
	8.2	9	12.6	18	1.8	12	5.0	10.0	27	36	HR - 7134
	10.2	9	12.6	18	1.8	12	5.0	10.0	27	36	HR - 7039
	10.2	9	12.6	22	1.8	12	4.0	15.0	31	42	HR - 7135
	12.7	9	12.6	22	1.8	12	4.0	15.0	31	42	HR - 7040
50	8.2	10.5	14.1	18	1.8	16	6.0	12.0	34	43	HR - 7136
	10.2	10.5	14.1	18	1.8	16	6.0	12.0	34	43	HR - 7041
	10.2	10.5	14.1	22	1.8	16	7.0	9.0	32	43	HR - 7137
	10.2	10.5	14.1	24	1.8	16	6.0	14.0	36	48	HR - 7138
	12.7	10.5	14.1	24	1.8	16	6.0	14.0	36	48	HR - 7042
	16.2	10.5	14.1	32	1.8	16	7.0	15.0	38	54	HR - 7139
70	10.2	12	16	22	2	18	7.0	11.0	36	47	HR - 7140
	12.7	12	16	22	2	18	7.0	11.0	36	47	HR - 7043
	12.7	12	16	24	2	18	8.0	10.0	36	48	HR - 7141
	16.2	12	16	28	2	18	6.0	16.0	40	54	HR - 7142
95	10.2	13.5	18.1	22	2.3	20	5.0	10.0	35	46	HR - 7143
	10.2	13.5	18.1	24	2.3	20	6.0	12.0	38	50	HR - 7144
	12.7	13.5	18.1	24	2.3	20	6.0	12.0	38	50	HR - 7044
	16.2	13.5	18.1	28	2.3	20	7.0	17.0	44	58	HR - 7145
120	12.7	15	20.2	26	2.6	22	10.0	7.0	39	52	HR - 7146
	23.0	15	20.2	40	2.6	22	10.0	20.0	52	72	HR - 7148
150	12.7	16.5	23.7	34	3.6	24	8.0	16.0	49	66	HR - 7149
	16.2	16.5	23.7	34	3.6	24	9.0	16.0	49	66	HR - 7045
	16.2	16.5	23.7	40	3.6	24	10.0	20.0	54	74	HR - 7150
	20.3	16.5	23.7	40	3.6	24	10.0	20.0	54	74	HR - 7046

HEXPRESS CRIMPING TOOLS



HEXPRESS A - 6
Crimping Capacity : 0.5mm² to 6mm²



HEXPRESS IN - 6
(for Insulated)
Crimping Capacity : 1.5mm² , 2.5mm² , 4-6mm²



HEXPRESS E - 95
Dies : R - 1 to R - 10
Crimping Capacity : 10mm² to 95mm²



HEXPRESS F1 - 185
Dies : R - 1 to R - 13
Crimping Capacity : 10mm² to 185mm² (Al.& Cu.)



HEXPRESS B - 16
Crimping Capacity : 0.5mm² to 16mm²



HEXPRESS F - 6
(for End Sealing Ferrules)
Crimping Capacity : 0.5mm² to 6mm²



HEXPRESS F - 185
Dies : R - 1 to R - 13
Crimping Capacity : 10mm² to 185mm²



HEXPRESS G - 400
Dies : Hex profile
Crimping Capacity : 50mm² to 400mm² (Al.)
50mm² to 240mm² (Cu.)



HEXPRESS H - 50
(Dieless)

Crimping Capacity :
for Cu. & Al. crimping socket : 25mm², 35mm² & 50mm²
for Ring Type : 16mm², 25mm² & 35mm²



HEXPRESS G1 - 400
(Gear Operated)

Crimping Capacity : 50mm² to 400mm² (Al.)
50mm² to 300mm² (Cu.)



HEXPRESS HY - 400
(Hydraulic)

Dies : R - 11 to R - 18
Crimping Capacity : 50mm² to 400mm²



HEXPRESS HYF - 400
(Hydraulic Foot Operated)
Crimping Capacity : 50mm² to 400mm²



HEXPRESS H - 70
(Dieless)

for Ring Type only
Crimping Capacity : 16mm² to 70mm²



HEXPRESS H - 95
(Dieless)

Crimping Capacity :
for Cu. & Al. crimping socket : 10mm² to 95mm²

HEXPRESS HY - 1000
(Hydraulic)

Dies : R - 11 to R - 29
Crimping Capacity : 50mm² to 1000mm²



HEXPRESS HSC - 100
Anti Corrosive Compound