

SIEMENS

SIEMENS 3VJ Molded Case Circuit Breakers

Switching, Protection and Measuring Devices



EMPIRE

EMPIRE TRADING AGENCY(PVT)LTD

AUTHORIZED
CHANNEL
PARTNER

SIEMENS

No.110, Layards Broadway,
Colombo 14.
Sri Lanka.

Reg No : PV 85985

Tel : +94 - (0) 11 - 2433047, 2343701
 (0)11- 533047 - 71
Fax : +94-(0)11-2431180
Email: empita@slt.lk
Web : www.empiretradingagency.lk

3VJ Moulded Case Circuit Breaker

The Perfect Choice



Compact

These MCCBs save space in enclosures & switchboards and reduces the overall size of the module.



Reliable & Safe

Be assured when you are using this MCCB as every piece is designed with utmost quality and achieves the best performance. True 4pole MCCB (100% rated), is perfect to operate even in demanding applications.



Flexible

MCCBs come with common footprints from 10kA to 55kA breaking capacities and in addition no Neutral pole bias (left or right).



The Perfect combination

This excellently crafted MCCB is coupled with user friendly features & cost effective solution for Power distribution.





EMPIRE TRADING AGENCY (PVT) LTD

NO.110, LAYARDS BROADWAY, COLOMBO 14, SRI LANKA.

TEL (GENERAL): +94 11 2433047, +94 11 2343701, TEL (SALES) : +94 11 5330470-71, FAX : +94 11-2431180

E-MAIL : empita@slt.lk WEB : www.empiretradingagency.lk

Technical specifications

																
Type		3VJ10	3VJ10	3VJ11	3VJ12	3VJ13										
Number of Poles		1	2/3/4	2/3/4	2/3/4	3/4										
Frame size		125X	125X	125	250	400										
Rated operational current In at 45°C ambient temperature	A	20-125	20-125	25-125	160-250	320-400										
Rated operational voltage Ue 50/60Hz AC	V	240	415	415	415	415										
Insulation Voltage	V	800	800	1000	1000	1000										
Impulse Voltage	kV	6	6	8	8	8										
Suitable for Isolation		Yes														
Utilization category, according to IEC60947-2		A														
Breaking capacity																
Short-circuit breaking capacities Icu Ics rms value, according to IEC60947-2																
Icu @ AC 415* V-50/60Hz	kA	10	18	25	10	18	25	25	36	55	25	36	55	25	36	55
Ics @ AC 415* V-50/60Hz	kA	100%	75%	100%	75%			75%			75%			75%		
Trip Units																
Fixed Thermal Fixed Magnetic (1P/2P/3P/4P MCCBs)	FTFM							■								
Adjustable Thermal Fixed Magnetic (3P/4P MCCBs)	ATFM							■								
Neutral Protection in 4P MCCB								100%								
No. of operations																
Mechanical		15000	15000	15000	15000	15000	10000									
Electrical @ 415* V AC		5000	5000	5000	5000	5000	4000									
Connection technology																
Standard connection technology		Screw terminal														
Overall Dimensions																
Width x Height x Depth		35 X 118 X 62	80 (2P/3P) /103.5 (4P) x 126 x 62	92 (2P/3P) x 122 (4P) x 150 x 81	107.5 (2P/3P) x 142.5 (4P) x 166 X 81	150 (3P) /198 (4P) x 260 x 104										

*240V for 1P MCCBs

■ Available

Certifications

3VJ MCCB conforms to the latest international standards EN60947-2/2017 & IS/IEC60947-2/2016 and pollution degree III.



EMPIRE TRADING AGENCY (PVT) LTD

NO.110, LAYARDS BROADWAY, COLOMBO 14, SRI LANKA.

TEL (GENERAL): +94 11 2433047, +94 11 2343701, TEL (SALES) : +94 11 5330470-71, FAX : +94 11-2431180

E-MAIL : empita@slt.lk WEB : www.empiretradingagency.lk

3VJ10 MCCB, Thermal Magnetic Trip Unit, Fixed Thermal Fixed Magnetic (FTFM)

Frame Size	Breaking Capacity @415* AC, 50/60Hz	Rated Current In(A)	1Pole Type No	2Pole Type No
3VJ10 (VJ1 125X)	10kA	20	3VJ1002-0DA12-0AA0	3VJ1002-0DA22-0AA0
		25	3VJ1092-0DA12-0AA0	3VJ1092-0DA22-0AA0
		32	3VJ1003-0DA12-0AA0	3VJ1003-0DA22-0AA0
		40	3VJ1004-0DA12-0AA0	3VJ1004-0DA22-0AA0
		50	3VJ1005-0DA12-0AA0	3VJ1005-0DA22-0AA0
		63	3VJ1006-0DA12-0AA0	3VJ1006-0DA22-0AA0
		80	3VJ1008-0DA12-0AA0	3VJ1008-0DA22-0AA0
		100	3VJ1010-0DA12-0AA0	3VJ1010-0DA22-0AA0
		125	3VJ1012-0DA12-0AA0	3VJ1012-0DA22-0AA0
	18kA	20	3VJ1002-1DA12-0AA0	3VJ1002-1DA22-0AA0
		25	3VJ1092-1DA12-0AA0	3VJ1092-1DA22-0AA0
		32	3VJ1003-1DA12-0AA0	3VJ1003-1DA22-0AA0
		40	3VJ1004-1DA12-0AA0	3VJ1004-1DA22-0AA0
		50	3VJ1005-1DA12-0AA0	3VJ1005-1DA22-0AA0
		63	3VJ1006-1DA12-0AA0	3VJ1006-1DA22-0AA0
		80	3VJ1008-1DA12-0AA0	3VJ1008-1DA22-0AA0
		100	3VJ1010-1DA12-0AA0	3VJ1010-1DA22-0AA0
		125	3VJ1012-1DA12-0AA0	3VJ1012-1DA22-0AA0
	25kA	20	3VJ1002-3DA12-0AA0	3VJ1002-3DA22-0AA0
		25	3VJ1092-3DA12-0AA0	3VJ1092-3DA22-0AA0
		32	3VJ1003-3DA12-0AA0	3VJ1003-3DA22-0AA0
		40	3VJ1004-3DA12-0AA0	3VJ1004-3DA22-0AA0
		50	3VJ1005-3DA12-0AA0	3VJ1005-3EA22-0AA0
		63	3VJ1006-3DA12-0AA0	3VJ1006-3DA22-0AA0
		80	3VJ1008-3DA12-0AA0	3VJ1008-3DA22-0AA0
		100	3VJ1010-3DA12-0AA0	3VJ1010-3DA22-0AA0
		125	3VJ1012-3DA12-0AA0	3VJ1012-3DA22-0AA0

Notes: *240V for 1P MCCBs
Phase barriers for 2P MCCBs and Front barriers for 1P & 2P MCCBs are included in the standard MCCB packing

3VJ10 MCCB, Thermal Magnetic Trip Unit, Fixed Thermal Fixed Magnetic (FTFM)

Frame Size	Breaking Capacity @415V AC, 50/60Hz	Rated Current In(A)	3Pole Type No	4Pole Type No
3VJ10 (VJ1 125X)	10kA	20	3VJ1002-0DA32-0AA0	3VJ1002-0EA42-0AA0
		25	3VJ1092-0DA32-0AA0	3VJ1092-0EA42-0AA0
		32	3VJ1003-0DA32-0AA0	3VJ1003-0EA42-0AA0
		40	3VJ1004-0DA32-0AA0	3VJ1004-0EA42-0AA0
		50	3VJ1005-0DA32-0AA0	3VJ1005-0EA42-0AA0
		63	3VJ1006-0DA32-0AA0	3VJ1006-0EA42-0AA0
		80	3VJ1008-0DA32-0AA0	3VJ1008-0EA42-0AA0
		100	3VJ1010-0DA32-0AA0	3VJ1010-0EA42-0AA0
		125	3VJ1012-0DA32-0AA0	3VJ1012-0EA42-0AA0

EMPIRE TRADING AGENCY (PVT) LTD

NO.110, LAYARDS BROADWAY, COLOMBO 14, SRI LANKA.

TEL (GENERAL): +94 11 2433047, +94 11 2343701, TEL (SALES) : +94 11 5330470-71, FAX : +94 11-2431180

E-MAIL : empita@slt.lk WEB : www.empiretradingagency.lk

3VJ10 MCCB, Thermal Magnetic Trip Unit, Fixed Thermal Fixed Magnetic (FTFM)

Frame Size	Breaking Capacity @415V AC, 50/60Hz	Rated Current In(A)	3Pole Type No	4Pole Type No
3VJ10 (VJ1 125X)	18kA	20	3VJ1002-1DA32-0AA0	3VJ1002-1EA42-0AA0
		25	3VJ1092-1DA32-0AA0	3VJ1092-1EA42-0AA0
		32	3VJ1003-1DA32-0AA0	3VJ1003-1EA42-0AA0
		40	3VJ1004-1DA32-0AA0	3VJ1004-1EA42-0AA0
		50	3VJ1005-1DA32-0AA0	3VJ1005-1EA42-0AA0
		63	3VJ1006-1DA32-0AA0	3VJ1006-1EA42-0AA0
		80	3VJ1008-1DA32-0AA0	3VJ1008-1EA42-0AA0
		100	3VJ1010-1DA32-0AA0	3VJ1010-1EA42-0AA0
		125	3VJ1012-1DA32-0AA0	3VJ1012-1EA42-0AA0
		25kA	20	3VJ1002-3DA32-0AA0
	25		3VJ1092-3DA32-0AA0	3VJ1092-3EA42-0AA0
	32		3VJ1003-3DA32-0AA0	3VJ1003-3EA42-0AA0
	40		3VJ1004-3DA32-0AA0	3VJ1004-3EA42-0AA0
	50		3VJ1005-3DA32-0AA0	3VJ1005-3EA42-0AA0
	63		3VJ1006-3DA32-0AA0	3VJ1006-3EA42-0AA0
	80		3VJ1008-3DA32-0AA0	3VJ1008-3EA42-0AA0
	100		3VJ1010-3DA32-0AA0	3VJ1010-3EA42-0AA0
	125		3VJ1012-3DA32-0AA0	3VJ1012-3EA42-0AA0

Notes: Phase barriers and Front barriers are included in the standard MCCB packing

3VJ10 MCCB, Thermal Magnetic Trip Unit, Adjustable Thermal Fixed Magnetic (ATFM)

Frame Size	Breaking Capacity @415V AC, 50/60Hz	Rated Current In(A)	3Pole Type No	4Pole Type No
3VJ10 (VJ1 125X)	10kA	20	3VJ1002-0DB32-0AA0	3VJ1002-0EB42-0AA0
		25	3VJ1092-0DB32-0AA0	3VJ1092-0EB42-0AA0
		32	3VJ1003-0DB32-0AA0	3VJ1003-0EB42-0AA0
		40	3VJ1004-0DB32-0AA0	3VJ1004-0EB42-0AA0
		50	3VJ1005-0DB32-0AA0	3VJ1005-0EB42-0AA0
		63	3VJ1006-0DB32-0AA0	3VJ1006-0EB42-0AA0
		80	3VJ1008-0DB32-0AA0	3VJ1008-0EB42-0AA0
		100	3VJ1010-0DB32-0AA0	3VJ1010-0EB42-0AA0
		125	3VJ1012-0DB32-0AA0	3VJ1012-0EB42-0AA0
		18kA	20	3VJ1002-1DB32-0AA0
	25		3VJ1092-1DB32-0AA0	3VJ1092-1EB42-0AA0
	32		3VJ1003-1DB32-0AA0	3VJ1003-1EB42-0AA0
	40		3VJ1004-1DB32-0AA0	3VJ1004-1EB42-0AA0
	50		3VJ1005-1DB32-0AA0	3VJ1005-1EB42-0AA0
	63		3VJ1006-1DB32-0AA0	3VJ1006-1EB42-0AA0
	80		3VJ1008-1DB32-0AA0	3VJ1008-1EB42-0AA0
	100		3VJ1010-1DB32-0AA0	3VJ1010-1EB42-0AA0
	125		3VJ1012-1DB32-0AA0	3VJ1012-1EB42-0AA0
	25kA		20	3VJ1002-3DB32-0AA0
		25	3VJ1092-3DB32-0AA0	3VJ1092-3EB42-0AA0
		32	3VJ1003-3DB32-0AA0	3VJ1003-3EB42-0AA0
		40	3VJ1004-3DB32-0AA0	3VJ1004-3EB42-0AA0
		50	3VJ1005-3DB32-0AA0	3VJ1005-3EB42-0AA0
		63	3VJ1006-3DB32-0AA0	3VJ1006-3EB42-0AA0
		80	3VJ1008-3DB32-0AA0	3VJ1008-3EB42-0AA0
		100	3VJ1010-3DB32-0AA0	3VJ1010-3EB42-0AA0
		125	3VJ1012-3DB32-0AA0	3VJ1012-3EB42-0AA0

Notes: Phase barriers and Front barriers are included in the standard MCCB packing

EMPIRE TRADING AGENCY (PVT) LTD

NO.110, LAYARDS BROADWAY, COLOMBO 14, SRI LANKA.

TEL (GENERAL): +94 11 2433047, +94 11 2343701, TEL (SALES) : +94 11 5330470-71, FAX : +94 11-2431180

E-MAIL : empita@slt.lk WEB : www.empiretradingagency.lk

3VJ MCCB, Thermal Magnetic Trip Unit, Fixed Thermal Fixed Magnetic (FTFM)

Frame Size	Breaking Capacity @415V AC, 50/60Hz	Rated Current In(A)	2Pole Type No	3Pole Type No	4Pole Type No
3VJ11 (VJ1 125)	25kA	25	3VJ1192-3DA22-0AA0	3VJ1192-3DA32-0AA0	3VJ1192-3EA42-0AA0
		32	3VJ1103-3DA22-0AA0	3VJ1103-3DA32-0AA0	3VJ1103-3EA42-0AA0
		40	3VJ1104-3DA22-0AA0	3VJ1104-3DA32-0AA0	3VJ1104-3EA42-0AA0
		50	3VJ1105-3DA22-0AA0	3VJ1105-3DA32-0AA0	3VJ1105-3EA42-0AA0
		63	3VJ1106-3DA22-0AA0	3VJ1106-3DA32-0AA0	3VJ1106-3EA42-0AA0
		80	3VJ1108-3DA22-0AA0	3VJ1108-3DA32-0AA0	3VJ1108-3EA42-0AA0
		100	3VJ1110-3DA22-0AA0	3VJ1110-3DA32-0AA0	3VJ1110-3EA42-0AA0
		125	3VJ1112-3DA22-0AA0	3VJ1112-3DA32-0AA0	3VJ1112-3EA42-0AA0
3VJ12 (VJ1 250)	25kA	160	3VJ1216-3DA22-0AA0	3VJ1216-3DA32-0AA0	3VJ1216-3EA42-0AA0
		200	3VJ1220-3DA22-0AA0	3VJ1220-3DA32-0AA0	3VJ1220-3EA42-0AA0
		250	3VJ1225-3DA22-0AA0	3VJ1225-3DA32-0AA0	3VJ1225-3EA42-0AA0
3VJ13 (VJ1 400)	25kA	320	-	3VJ1332-3DA32-0AA0	3VJ1332-3EA42-0AA0
		400	-	3VJ1340-3DA32-0AA0	3VJ1340-3EA42-0AA0
3VJ11 (VJ1 125)	36kA	25	3VJ1192-5DA22-0AA0	3VJ1192-5DA32-0AA0	3VJ1192-5EA42-0AA0
		32	3VJ1103-5DA22-0AA0	3VJ1103-5DA32-0AA0	3VJ1103-5EA42-0AA0
		40	3VJ1104-5DA22-0AA0	3VJ1104-5DA32-0AA0	3VJ1104-5EA42-0AA0
		50	3VJ1105-5DA22-0AA0	3VJ1105-5DA32-0AA0	3VJ1105-5EA42-0AA0
		63	3VJ1106-5DA22-0AA0	3VJ1106-5DA32-0AA0	3VJ1106-5EA42-0AA0
		80	3VJ1108-5DA22-0AA0	3VJ1108-5DA32-0AA0	3VJ1108-5EA42-0AA0
		100	3VJ1110-5DA22-0AA0	3VJ1110-5DA32-0AA0	3VJ1110-5EA42-0AA0
		125	3VJ1112-5DA22-0AA0	3VJ1112-5DA32-0AA0	3VJ1112-5EA42-0AA0
3VJ12 (VJ1 250)	36kA	160	3VJ1216-5DA22-0AA0	3VJ1216-5DA32-0AA0	3VJ1216-5EA42-0AA0
		200	3VJ1220-5DA22-0AA0	3VJ1220-5DA32-0AA0	3VJ1220-5EA42-0AA0
		250	3VJ1225-5DA22-0AA0	3VJ1225-5DA32-0AA0	3VJ1225-5EA42-0AA0
3VJ13 (VJ1 400)	36kA	320	-	3VJ1332-5DA32-0AA0	3VJ1332-5EA42-0AA0
		400	-	3VJ1340-5DA32-0AA0	3VJ1340-5EA42-0AA0
3VJ11 (VJ1 125)	55kA	25	3VJ1192-7DA22-0AA0	3VJ1192-7DA32-0AA0	3VJ1192-7EA42-0AA0
		32	3VJ1103-7DA22-0AA0	3VJ1103-7DA32-0AA0	3VJ1103-7EA42-0AA0
		40	3VJ1104-7DA22-0AA0	3VJ1104-7DA32-0AA0	3VJ1104-7EA42-0AA0
		50	3VJ1105-7DA22-0AA0	3VJ1105-7DA32-0AA0	3VJ1105-7EA42-0AA0
		63	3VJ1106-7DA22-0AA0	3VJ1106-7DA32-0AA0	3VJ1106-7EA42-0AA0
		80	3VJ1108-7DA22-0AA0	3VJ1108-7DA32-0AA0	3VJ1108-7EA42-0AA0
		100	3VJ1110-7DA22-0AA0	3VJ1110-7DA32-0AA0	3VJ1110-7EA42-0AA0
		125	3VJ1112-7DA22-0AA0	3VJ1112-7DA32-0AA0	3VJ1112-7EA42-0AA0
3VJ12 (VJ1 250)	55kA	160	3VJ1216-7DA22-0AA0	3VJ1216-7DA32-0AA0	3VJ1216-7EA42-0AA0
		200	3VJ1220-7DA22-0AA0	3VJ1220-7DA32-0AA0	3VJ1220-7EA42-0AA0
		250	3VJ1225-7DA22-0AA0	3VJ1225-7DA32-0AA0	3VJ1225-7EA42-0AA0
3VJ13 (VJ1 400)	55kA	320	-	3VJ1332-7DA32-0AA0	3VJ1332-7EA42-0AA0
		400	-	3VJ1340-7DA32-0AA0	3VJ1340-7EA42-0AA0

Notes: Phase barriers and Front barriers are included in the standard packing

EMPIRE TRADING AGENCY (PVT) LTD

NO.110, LAYARDS BROADWAY, COLOMBO 14, SRI LANKA.

TEL (GENERAL): +94 11 2433047, +94 11 2343701, TEL (SALES) : +94 11 5330470-71, FAX : +94 11-2431180

E-MAIL : empita@slt.lk WEB : www.empiretradingagency.lk

3VJ MCCB, Thermal Magnetic Trip Unit, Adjustable Thermal Fixed Magnetic (ATFM)

Frame Size	Breaking Capacity @415V AC, 50/60Hz	Rated Current In(A)	3Pole Type No	4Pole Type No
3VJ11 (VJ1 125)	25kA	25	3VJ1192-3DB32-0AA0	3VJ1192-3EB42-0AA0
		32	3VJ1103-3DB32-0AA0	3VJ1103-3EB42-0AA0
		40	3VJ1104-3DB32-0AA0	3VJ1104-3EB42-0AA0
		50	3VJ1105-3DB32-0AA0	3VJ1105-3EB42-0AA0
		63	3VJ1106-3DB32-0AA0	3VJ1106-3EB42-0AA0
		80	3VJ1108-3DB32-0AA0	3VJ1108-3EB42-0AA0
		100	3VJ1110-3DB32-0AA0	3VJ1110-3EB42-0AA0
		125	3VJ1112-3DB32-0AA0	3VJ1112-3EB42-0AA0
3VJ12 (VJ1 250)	25kA	160	3VJ1216-3DB32-0AA0	3VJ1216-3EB42-0AA0
		200	3VJ1220-3DB32-0AA0	3VJ1220-3EB42-0AA0
		250	3VJ1225-3DB32-0AA0	3VJ1225-3EB42-0AA0
3VJ13 (VJ1 400)	25kA	320	3VJ1332-3DB32-0AA0	3VJ1332-3EB42-0AA0
		400	3VJ1340-3DB32-0AA0	3VJ1340-3EB42-0AA0
3VJ11 (VJ1 125)	36kA	25	3VJ1192-5DB32-0AA0	3VJ1192-5EB42-0AA0
		32	3VJ1103-5DB32-0AA0	3VJ1103-5EB42-0AA0
		40	3VJ1104-5DB32-0AA0	3VJ1104-5EB42-0AA0
		50	3VJ1105-5DB32-0AA0	3VJ1105-5EB42-0AA0
		63	3VJ1106-5DB32-0AA0	3VJ1106-5EB42-0AA0
		80	3VJ1108-5DB32-0AA0	3VJ1108-5EB42-0AA0
		100	3VJ1110-5DB32-0AA0	3VJ1110-5EB42-0AA0
		125	3VJ1112-5DB32-0AA0	3VJ1112-5EB42-0AA0
3VJ12 (VJ1 250)	36kA	160	3VJ1216-5DB32-0AA0	3VJ1216-5EB42-0AA0
		200	3VJ1220-5DB32-0AA0	3VJ1220-5EB42-0AA0
		250	3VJ1225-5DB32-0AA0	3VJ1225-5EB42-0AA0
3VJ13 (VJ1 400)	36kA	320	3VJ1332-5DB32-0AA0	3VJ1332-5EB42-0AA0
		400	3VJ1340-5DB32-0AA0	3VJ1340-5EB42-0AA0
3VJ11 (VJ1 125)	55kA	25	3VJ1192-7DB32-0AA0	3VJ1192-7EB42-0AA0
		32	3VJ1103-7DB32-0AA0	3VJ1103-7EB42-0AA0
		40	3VJ1104-7DB32-0AA0	3VJ1104-7EB42-0AA0
		50	3VJ1105-7DB32-0AA0	3VJ1105-7EB42-0AA0
		63	3VJ1106-7DB32-0AA0	3VJ1106-7EB42-0AA0
		80	3VJ1108-7DB32-0AA0	3VJ1108-7EB42-0AA0
		100	3VJ1110-7DB32-0AA0	3VJ1110-7EB42-0AA0
		125	3VJ1112-7DB32-0AA0	3VJ1112-7EB42-0AA0
3VJ12 (VJ1 250)	55kA	160	3VJ1216-7DB32-0AA0	3VJ1216-7EB42-0AA0
		200	3VJ1220-7DB32-0AA0	3VJ1220-7EB42-0AA0
		250	3VJ1225-7DB32-0AA0	3VJ1225-7EB42-0AA0
3VJ13 (VJ1 400)	55kA	320	3VJ1332-7DB32-0AA0	3VJ1332-7EB42-0AA0
		400	3VJ1340-7DB32-0AA0	3VJ1340-7EB42-0AA0

Notes: Phase barriers and Front barriers are included in the standard packing






EMPIRE TRADING AGENCY (PVT) LTD

NO.110, LAYARDS BROADWAY, COLOMBO 14, SRI LANKA.

TEL (GENERAL): +94 11 2433047, +94 11 2343701, TEL (SALES) : +94 11 5330470-71, FAX : +94 11-2431180

E-MAIL : empita@slt.lk WEB : www.empiretradingagency.lk

3VJ Internal accessories

Frame Size	Reference Image	Accessory compartment/coil voltage	3VJ10 (VJ1 125X)	3VJ11 (VJ1 125)	3VJ12 (VJ1 250)	3VJ13 (VJ1 400)	3VJ14 (VJ1 630)
Accessory							
Auxiliary Switches		Left	3VJ9018-0AN11	3VJ9218-0AN11		3VJ9417-0AN11	
		Right	-	3VJ9218-0AN21		3VJ9417-0AN21	
Alarm Switches		Left	3VJ9018-0AA11	3VJ9118-0AA11	3VJ9218-0AA11	3VJ9417-0AA11	
		Right	-	3VJ9118-0AA21	3VJ9218-0AA21	3VJ9417-0AA21	
Auxiliary + Alarm Switches		Left	3VJ9018-0AD11	3VJ9118-0AD11	3VJ9218-0AD11	3VJ9417-0AD11	
		Right	-	3VJ9118-0AD21	3VJ9218-0AD21	3VJ9417-0AD21	
Shunt Trip (Right)		24V DC	*	3VJ9218-0ST11		-	
		24V AC/DC	-	-		3VJ9417-0ST21	
		48V DC	*	3VJ9218-0ST12		-	
		48V AC/DC	-	-		3VJ9417-0ST22	
		110V DC	3VJ9018-0ST15	3VJ9218-0ST15		-	
		110V AC/DC	-	-		3VJ9417-0ST25	
		110V AC	3VJ9018-0ST35	3VJ9218-0ST35		-	
		220V AC	3VJ9018-0ST36	3VJ9218-0ST36		3VJ9417-0ST36	
		415V AC	3VJ9018-0ST37	3VJ9218-0ST37		3VJ9417-0ST37	
Under-voltage Release (Left)		24V DC	-	3VJ9218-0UV11		-	
		48V DC	-	3VJ9218-0UV12		-	
		220V AC	-	3VJ9218-0UV36		3VJ9417-0UV36	
		415V AC	-	3VJ9218-0UV37		3VJ9417-0UV37	

Notes:

Internal accessories are available only for 2P, 3P & 4P MCCBs
 3VJ9218-0ST..shunt releases can be used with 3VJ11(Frame VJ1 125) & 3VJ12(Frame VJ1 250) only

- : NA

* : Coming soon

EMPIRE TRADING AGENCY (PVT) LTD

NO.110, LAYARDS BROADWAY, COLOMBO 14, SRI LANKA.

TEL (GENERAL): +94 11 2433047, +94 11 2343701, TEL (SALES) : +94 11 5330470-71, FAX : +94 11-2431180

E-MAIL : empita@slt.lk WEB : www.empiretradingagency.lk

3VJ External accessories

Frame Size	Reference Image	3VJ10 (VJ1 125X)	3VJ11 (VJ1 125)	3VJ12 (VJ1 250)	3VJ13 (VJ1 400)
Accessory					
Extended Door Mounted Rotary Operator (including 8UC handle) [®]		3VJ9018-0HD11	3VJ9118-0HD11	3VJ9218-0HD11	3VJ9417-0HD11
Extended terminals [#]		3VJ9011-0EC00 (1P)	-	-	-
Spreader Links [^]		3VJ9012-0ED00 (2P)	3VJ9112-0ED00 (2P)	3VJ9212-0ED00 (2P)	-
		3VJ9013-0ED00 (3P)	3VJ9113-0ED00 (3P)	3VJ9213-0ED00 (3P)	3VJ9313-0ED00 (3P)
		3VJ9014-0ED00 (4P)	3VJ9114-0ED00 (4P)	3VJ9214-0ED00 (4P)	3VJ9314-0ED00 (4P)
Phase Barriers [*]		3VJ9018-0CA00	3VJ9218-0CA00		3VJ9417-0CA00
Front Barriers ^{\$}		3VJ9011-0CJ10 (1P)	-	-	-
		3VJ9016-0CJ30 (2P/3P)	3VJ9116-0CJ30 (2P/3P)	3VJ9216-0CJ30 (2P/3P)	3VJ9413-0CJ30 (3P)
		3VJ9014-0CJ40 (4P)	3VJ9114-0CJ40 (4P)	3VJ9214-0CJ40 (4P)	3VJ9414-0CJ40 (4P)
Toggle handle extension		-	-	-	3VJ9417-0DH10

Notes:

@ 1 set contains rotary mechanism, coupler, shaft and 8UC handle. Rotary operators are not available for 1P 3VJ MCCBs

[^] Spreader link 1 set = 2 nos. links in case of 2 pole; and 3 nos. links in case of 3 pole; and 4 nos. links in case of 4 pole.

[#] Extended terminals 1 set = 2 nos. links

^{*} Available as a spare; 1 set contains 2 phase barriers

^{\$} Available as a spare; 1 set contains 2 front barriers (top & bottom)

Toggle handle extension is included in the standard packing of 3VJ13 (VJ1 400) MCCB.

EMPIRE TRADING AGENCY (PVT) LTD

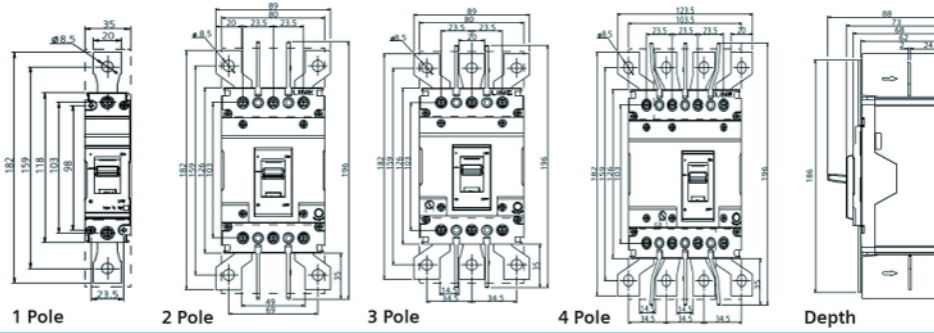
NO.110, LAYARDS BROADWAY, COLOMBO 14, SRI LANKA.

TEL (GENERAL): +94 11 2433047, +94 11 2343701, TEL (SALES) : +94 11 5330470-71, FAX : +94 11-2431180

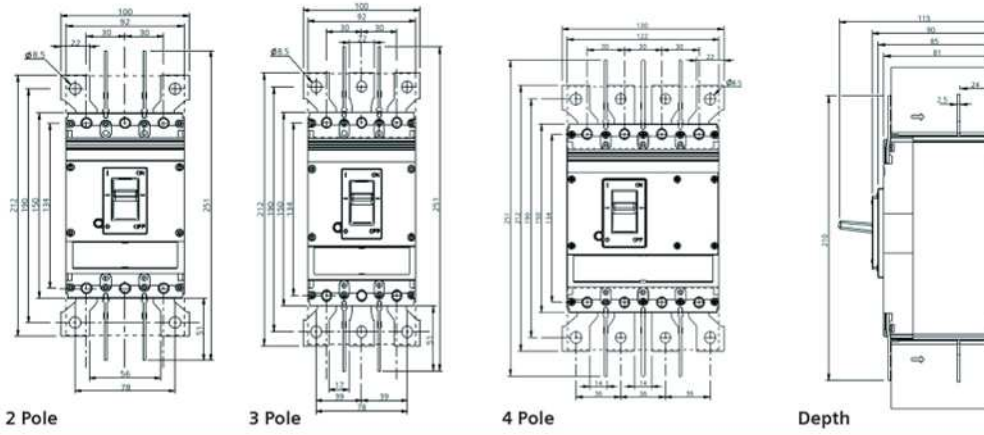
E-MAIL : empita@slt.lk WEB : www.empiretradingagency.lk

PRODUCT DIMENSIONS

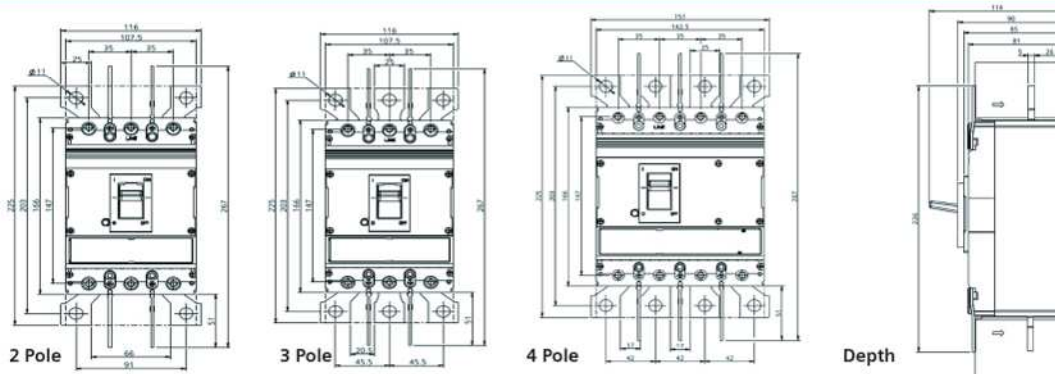
3VJ10



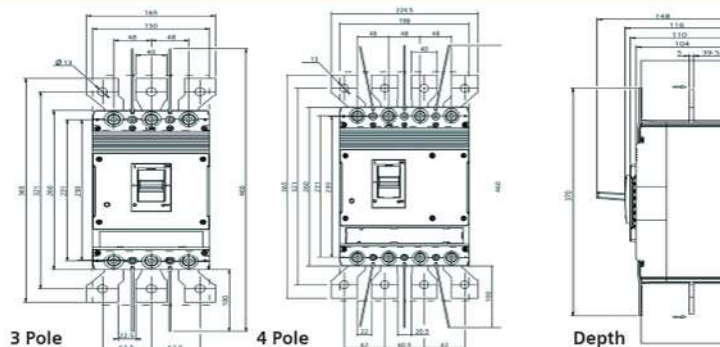
3VJ11



3VJ12



3VJ13



All dimensions are in mm

EMPIRE TRADING AGENCY (PVT) LTD

NO.110, LAYARDS BROADWAY, COLOMBO 14, SRI LANKA.

TEL (GENERAL): +94 11 2433047, +94 11 2343701, TEL (SALES) : +94 11 5330470-71, FAX : +94 11-2431180

E-MAIL : empita@slt.lk WEB : www.empiretradingagency.lk